

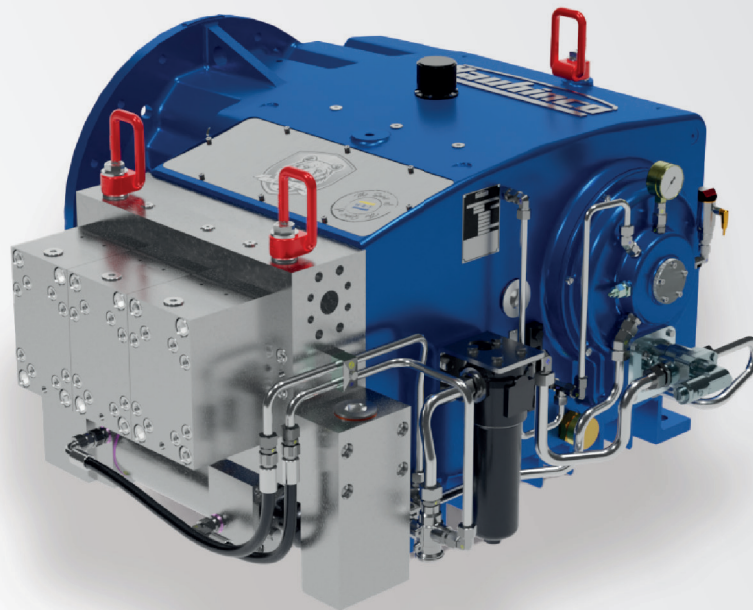
Triplex Plunger Pump

EHP-3K 300S

Hauhinco

AN HBT GROUP COMPANY

Stainless Steel Pumphead, plate valve design (SP)



Technical data

Plunger-diameter	Input speed 1.500 1/min				Input speed 1.800 1/min	
	Gear ratio 3,067		Gear ratio 3,667		Gear ratio 3,667	
	max. Operating pressure ^[1]	Flow rate	max. Operating pressure ^[1]	Flow rate	max. Operating pressure ^[1]	Flow rate
mm	bar	dm ³ /min	bar	dm ³ /min	bar	dm ³ /min
53	500	324	500	271	500	325
57,5	420	381	420	319	420	382
62	360	443	360	370	360	445
65 ^[2]	330	487	330	407	330	489
70 ^[2]	290	565	290	472	290	567

■ **max. input speed:**
1,500 / 1,800 1/min

■ **max. input power:**
300 kW

■ **available variations:**
Stainless steel pumphead cylinder valve design (SZ)
Stainless steel pumphead plate valve design (SP)

1 kW = 1.3410 HP 1 bar = 14.5038 psi
1 kg = 2.205 lbs 1 l = 0.26417 Gal.

^[1] Max. approved operating pressure at the pressure connection pump head.

^[2] On Request.

^[3] The weight specifications apply for pumps without any attachment parts.

Triplex Plunger Pump

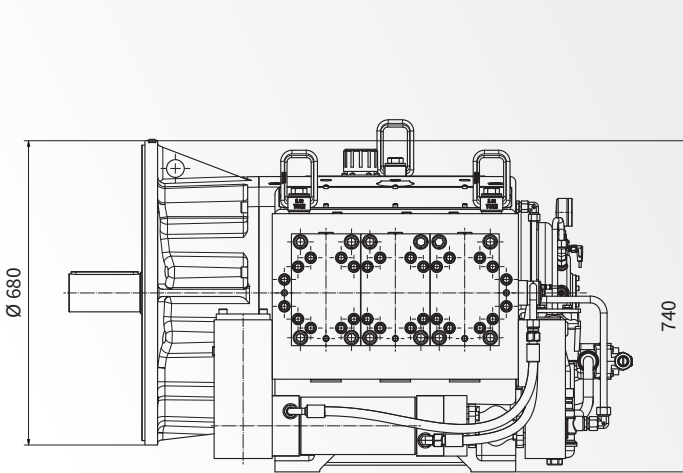
EHP-3K 300S



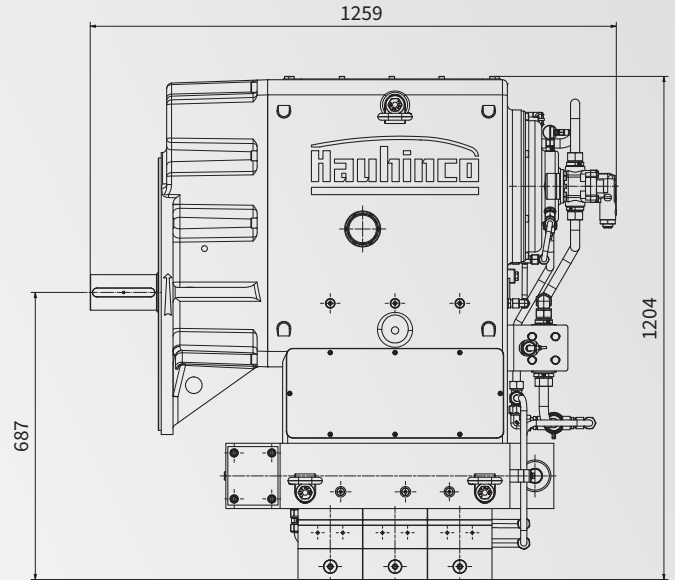
Hauhinco

AN HBT GROUP COMPANY

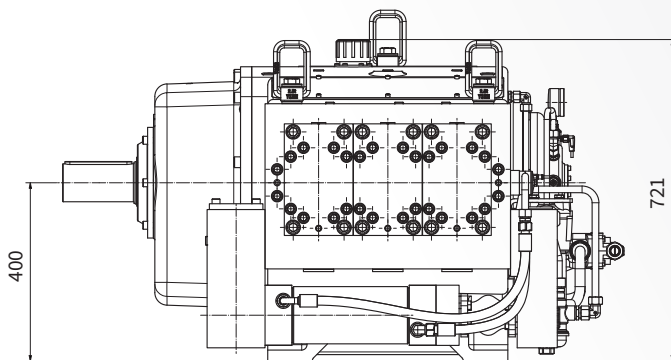
Flange-type, with plate valves



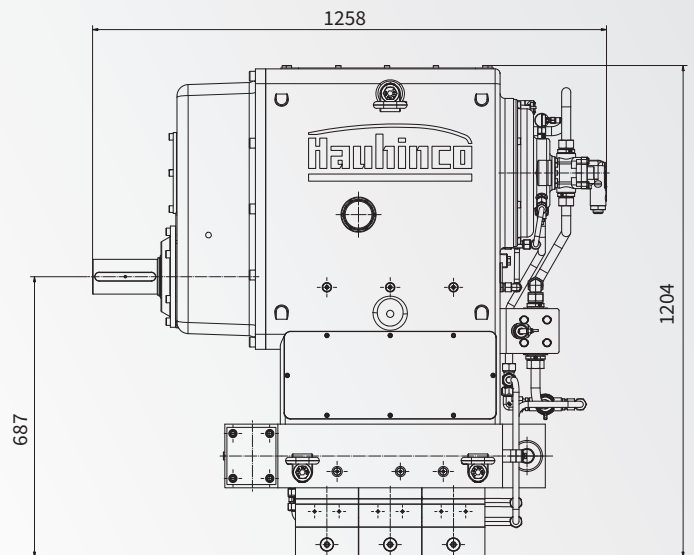
■ Weight^[3]
1,830 kg



Foot-type, with plate valves



■ Weight^[3]
1,770 kg



Technical specifications are subject to change. All information and illustrations are non-binding.

Hauhinco Maschinenfabrik GmbH

Hölderstraße 51
45549 Sprockhövel
Germany

Phone: +49 2324 705-0
Fax: +49 2324 705-222
E-mail: sales@hauhinco.de
Web: www.hauhinco.de

HBT Americas LLC

1325 Evans City Road
Evans City
Pennsylvania
16033 USA

Phone: +1 724 789-7050
Fax: +1 724 789-7056
E-mail: info@hauhinco.com
Web: www.hauhinco.com