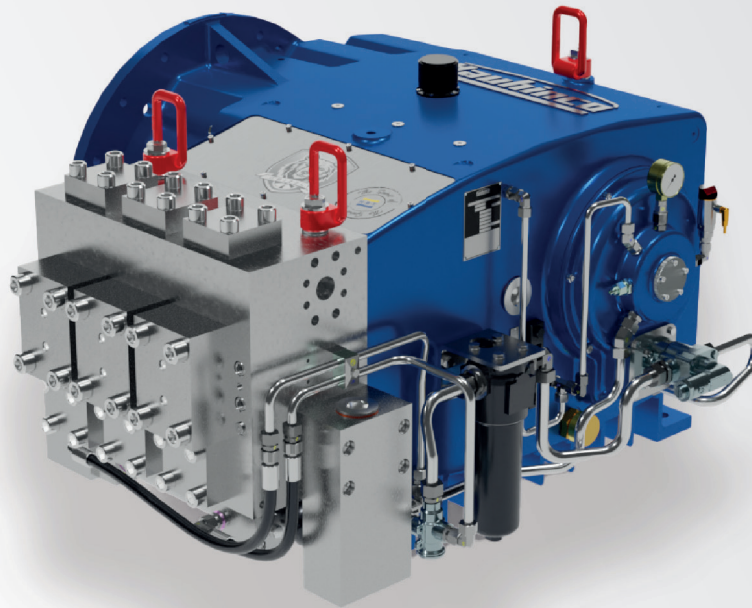


## Stainless Steel Pumphead, cylinder valve design (SZ)



## Technical data

Type	Plunger-diameter mm	Input speed 1.500 1/min				Input speed 1.800 1/min	
		Gear ratio 3,067		Gear ratio 3,667		Gear ratio 3,667	
		max. Operating pressure <sup>[1]</sup> bar	Flow rate dm <sup>3</sup> /min	max. Operating pressure <sup>[1]</sup> bar	Flow rate dm <sup>3</sup> /min	max. Operating pressure <sup>[1]</sup> bar	Flow rate dm <sup>3</sup> /min
HD	53	500	324	500	271	500	325
	57,5	420	381	420	319	420	382
	62	360	443	360	370	360	445
	65 <sup>[2]</sup>	330	487	330	407	330	489
ND	70 <sup>[2]</sup>	290	565	290	472	290	567
	80 <sup>[2]</sup>	220	738	220	617	220	740

■ **max. input speed:**  
1,500 / 1,800 1/min

■ **max. input power:**  
300 kW

■ **available variations:**  
Stainless steel pumphead cylinder valve design (SZ)  
Stainless steel pumphead plate valve design (SP)

1 kW = 1.3410 HP    1 bar = 14.5038 psi  
1 kg = 2.205 lbs    1 l = 0.26417 Gal.

<sup>[1]</sup> Max. approved operating pressure at the pressure connection pump head.

<sup>[2]</sup> On Request.

<sup>[3]</sup> The weight specifications apply for pumps without any attachment parts.

Triplex Plunger Pump

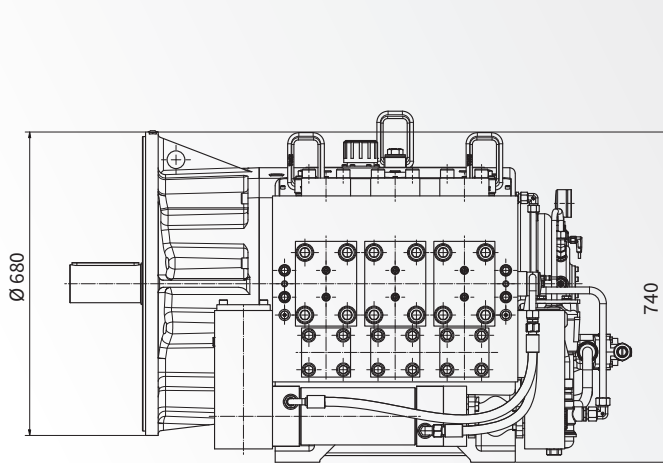
# EHP-3K 300S



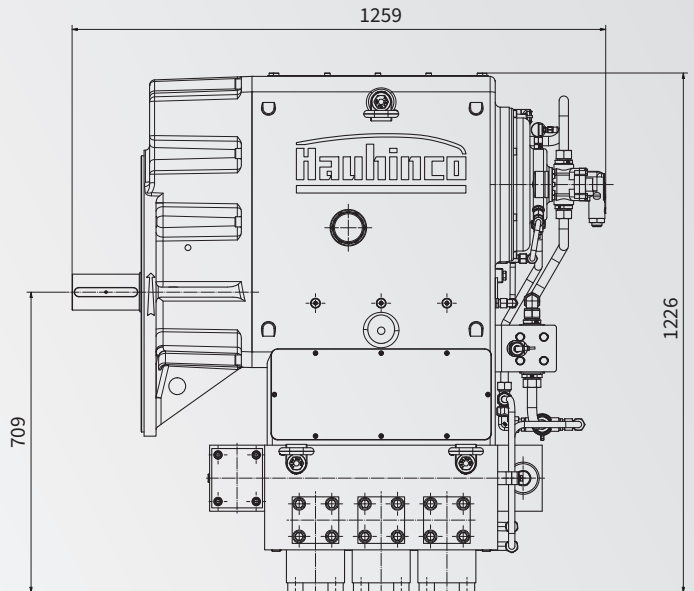
# Hauhinco

AN HBT GROUP COMPANY

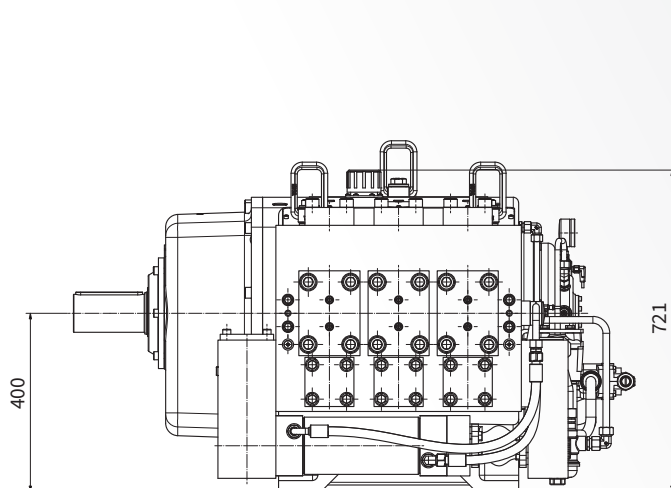
Flange-type, with cylinder valves



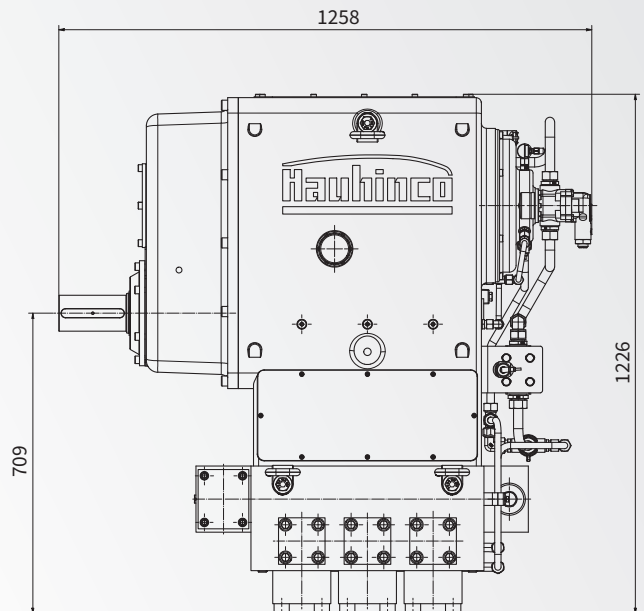
■ Weight<sup>[3]</sup>  
1,830 kg



Foot-type, with cylinder valves



■ Weight<sup>[3]</sup>  
1,770 kg



Technical specifications are subject to change. All information and illustrations are non-binding.

Hauhinco Maschinenfabrik GmbH

Hölderstraße 51  
45549 Sprockhövel  
Germany

Phone: +49 2324 705-0  
Fax: +49 2324 705-222  
E-mail: [sales@hauhinco.de](mailto:sales@hauhinco.de)  
Web: [www.hauhinco.de](http://www.hauhinco.de)

HBT Americas LLC

1325 Evans City Road  
Evans City  
Pennsylvania  
16033 USA

Phone: +1 724 789-7050  
Fax: +1 724 789-7056  
E-mail: [info@hauhinco.com](mailto:info@hauhinco.com)  
Web: [www.hauhinco.com](http://www.hauhinco.com)