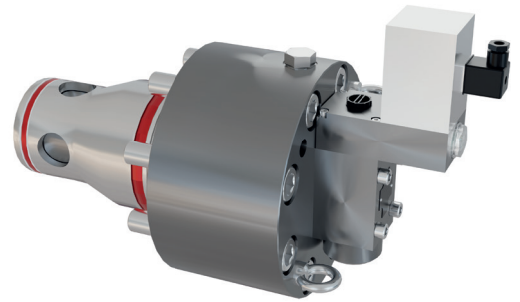


Descaling valves insert

2/2-way valve insert X, Y controlled, DN50 - DN125, PN420



Features

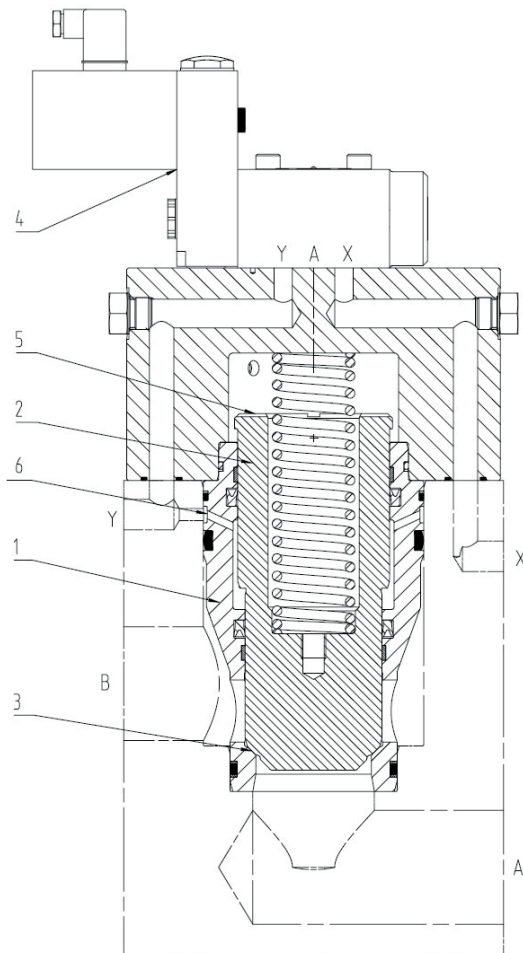
- Hydraulically actuated directional seat valve controlling liquid media
- Passively controllable 2/2-way valve with 1-stage control logic
- Valve seat sleeve equipped with a low-friction seal
- Valve piston and seat are coupled and close hydraulically „leak-free“
- The valve is actuated via a 3/2-way pilot valve
- The switching position can optionally monitored by a proximity switch for open and close position
- Installation space according Hauhinco standard

Function 2/2-way valve insert

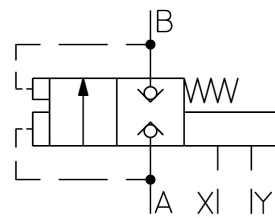
The valve piston (2) guided within the Valve seat sleeve (1) is pressed into the valve seat (3) by the hydraulic power and the spring force generated by the control pressure (X) on the control surface (5). Thus, the lines (A, B) are separated.

By switching the pilot valve (4), the control surface (5) is depressurised and the hydraulic power along the lines (A, B) can be used to lift the valve piston (2) off the valve seat (3), i.e. as soon as the hydraulic pressure is applied to the lines (A, B), the valve piston (2) moves into the opened position up to the mechanical end position. Thus, the lines (A, B) are connected. The ring-surface (6) of the valve piston (2) must be connected to the leakage line (Y) of the manifold.

Beispiel 2/2-Wege Einbauventil X, Y gesteuert



Symbol



Control surfaces, hydraulic forces
 A- channel: Area -A1, valve passively open
 B- channel: Area -A2, valve passively open
 Control surface (5): A3, close valve actively

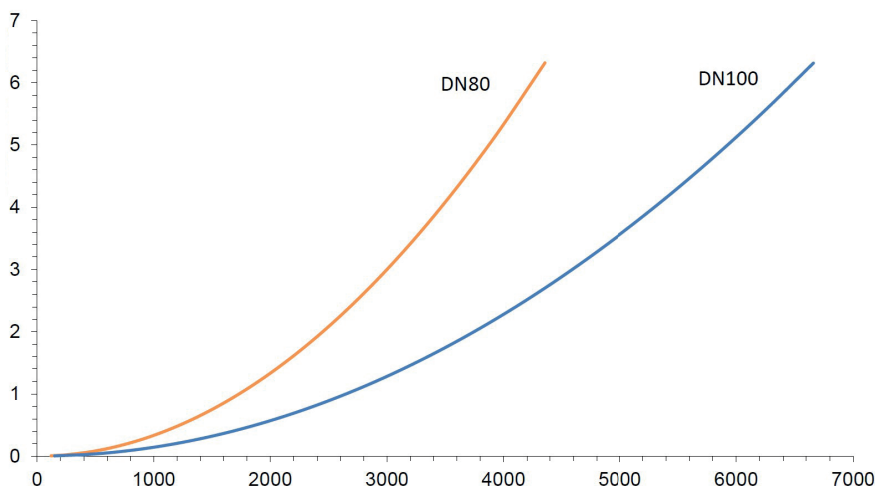
Technical data

measured with HFA medium 97/3%, at 20°C

General	
Weight	see Order information
Installation position	any
Ambient temperature	-10 to 50°C (hydraulic fluids, heed standard requirements)
Material Valve parts	Stainless steel, bronze
Material Seals	NBR, PTFE, PUR
Hydraulic	
Hydraulic pressure connector A, B	$\geq 20 \text{ bar} \leq 420 \text{ bar}$
Hydraulic pressure connector X	$\geq 20 \text{ bar} \geq \text{hydr. Druck am Anschluss A, B} \leq 420 \text{ bar}$
Hydraulic pressure connector Y	$\leq 10 \text{ bar}$
Direction of flow	any
Area sum	$A1 + A2 = A3$
Pressure fluid	Water, HFA
- Medium - Temperature range	5 to 40°C
- Medium - Quality	see Hauhinco media requirement, water, HFA
- min. filter fineness connection A, B	Filter fineness 100µm
- min. filter fineness connection X	Filter fineness 25µm
Use of other pressure fluids on request.	
Electric	
Magnet	
- Voltage	24 VDC, andere Voltageen auf Anfrage
- Power consumption	see Order information
- Operating time	100% OT
- Degree of protection acc. to EN60529	IP65
- max. switching rate	1Hz
Inductive proximity switch	
- Output	NO contact, PNP
- Voltage	10 - 30 VDC
- Current	0,200 A
- Switching distance	1,5 mm
- Electrical connection	Three wire, plug connection M12x1

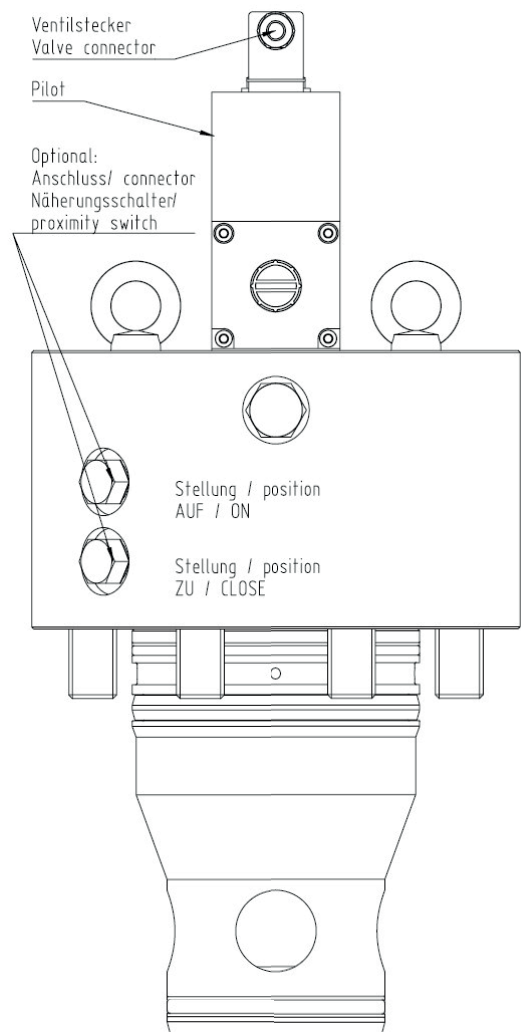
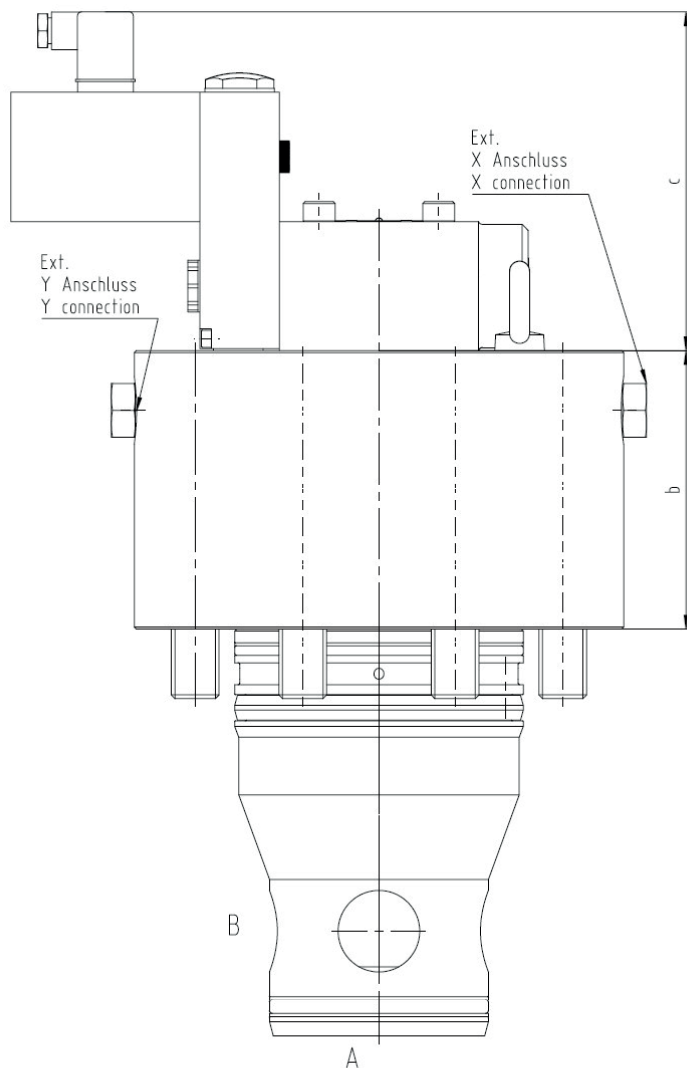
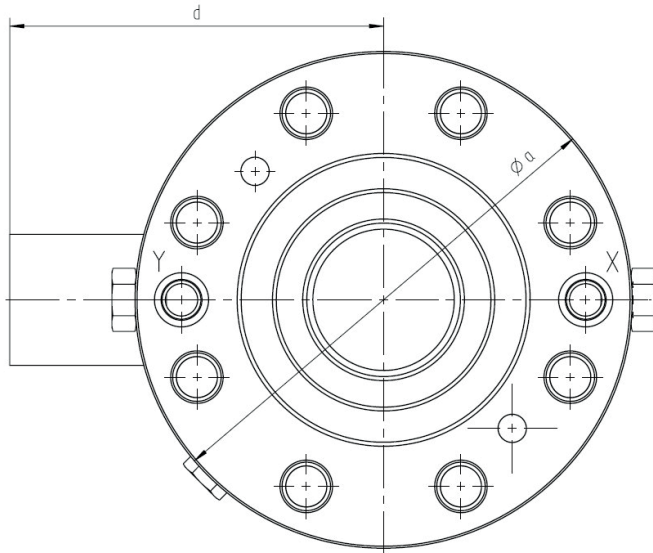
$\Delta p - q_v$ characteristic curves DN80 - DN100

max. open valve, dyn. viscosity 1mm²/s



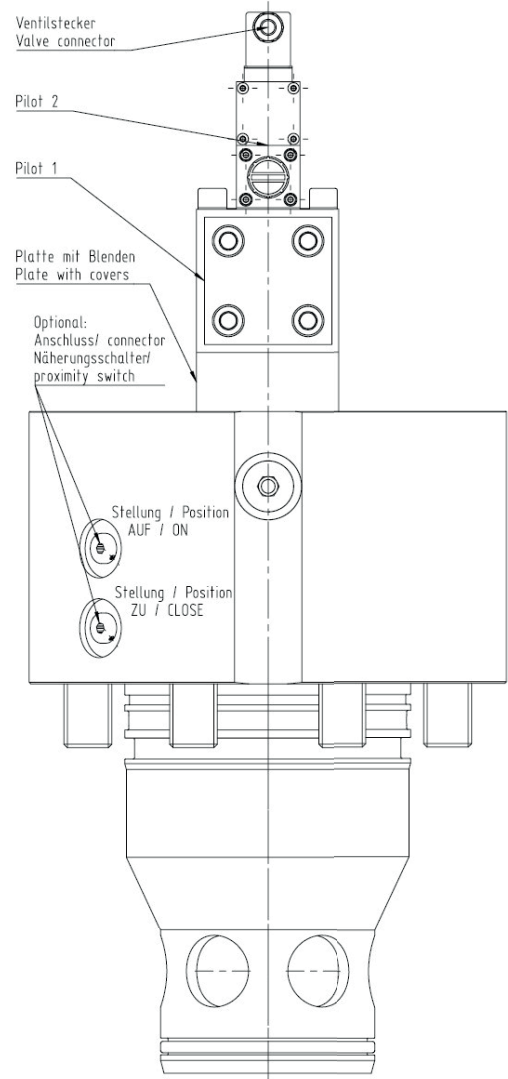
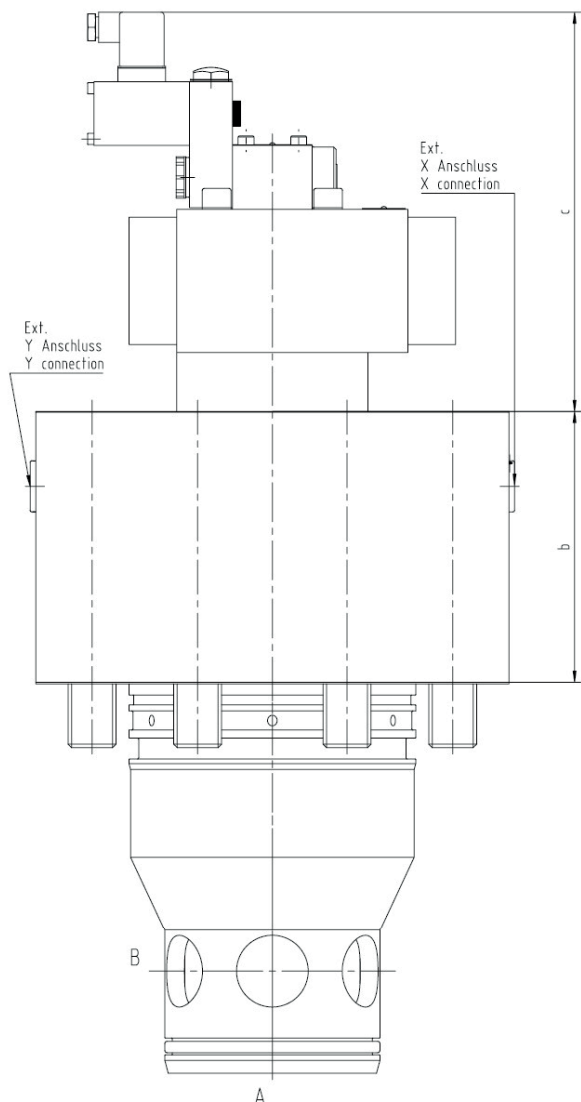
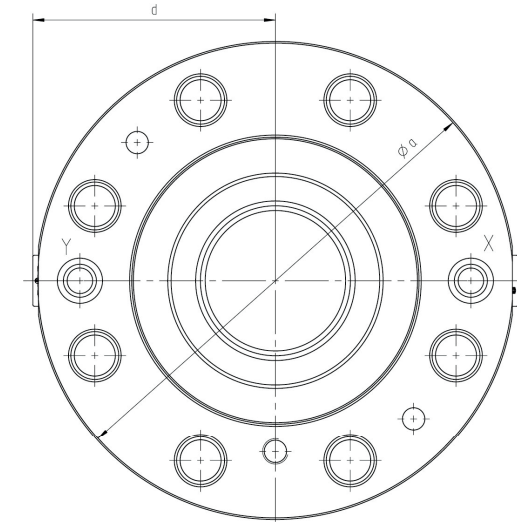
Dimension sheet 2/2-way valve insert, single-stage pilot control

2/2-way valve insert, X, Y controlled, DN50 - DN80, PN420



Dimension sheet 2/2-way valve insert, two-stage pilot control

2/2-way valve insert, X, Y controlled, DN100 - DN125, PN420



Order information

Included in the scope of supply

Mounting screws for the 2/2-way valve insert assembly

Mounting screws for the pilot valves 1 and -2

Cable socket for the magnet

2/2-way valve insert, single-stage pilot control DN50 – 80, PN420, X, Y

Nominal size	Weight [kg]	max. Pressure [bar]	Basic position	Dimensions [mm]				Article number valve	Installation space
				a	b	c	d		
DN50									
DN65									
DN80	70,0	420	NC	246	140	170	185	6602296	6600369

On demand

2/2-way valve insert, two-stage pilot control DN100 – 125, PN420, X, Y

Nominal size	Weight [kg]	max. Pressure [bar]	Basic position	Dimensions [mm]				Article number Einbauventil	Installation space
				a	b	c	d		
DN100	128,0	420	NC	300	171	251	150	66...	66...
DN125									

On demand

Order example

Item	Designation	Article number	Item	Designation	Article number
1	2/2-way valve insert, DN80-PN420-X,Y controlled, single-stage pilot control	6602296	1	Installation space	6600369
1	Pilot valve DN10	6235549	1	Inductive proximity switch Output – PNP, NO contact Voltage 10 – 30 VDC	2325349

Pilot valve

Position monitoring

Nominal size	Basic position	Actuation	Current	Article number valve	Designation	Article number monitoring
On demand		Electromagnet, voltage 24V DC Cable socket magnet DIN43650 – form A: max. 100VA, LED display + Z-diode, IP65			Inductive proximity switch Output – PNP, NO contact Voltage 10 – 30 VDC	2325349
		DN10	P→A NO		2,3 A	6235549

Pilot valve 1, hydraulically actuated, X, Y internally

Pilot valve 2

Nominal size	Basic position	Article number plate	Article number cover	Article number valve	Nominal size	Basic position	Actuation	Article number valve
DN16	P→A NO	6569714	6532292	6235549	DN3	P→A NO	Electromagnet, voltage 24V DC Cable socket magnet DIN43650 – form A: max. 100VA, LED display + Z-diode, IP65	6545599
On demand					On demand			

Position monitoring

Designation	Article number monitoring
Inductive proximity switch Output – PNP, NO contact Voltage 10 – 30 VDC	2329573