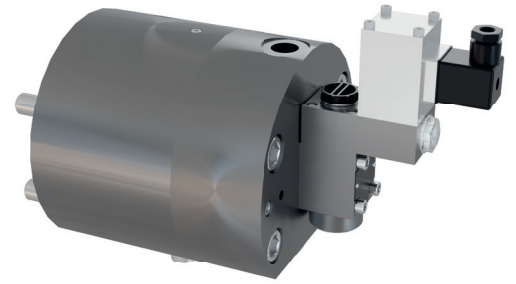


Descaling valves

2/2 Way valve, X, Y controlled, DN16, DN32, PN420



Features

- Hydraulically actuated directional seat valve controlling liquid media
- Passively controllable 2/2-way valve with 1-stage control logic
- Valve seat sleeve equipped with a low-friction seal thus, the valve piston moves easily and without inner leakages
- Valve piston and seat are coupled and close hydraulically „leak-free“
- The valve is actuated via a 3/2-way pilot valve

Function 2/2-way valve

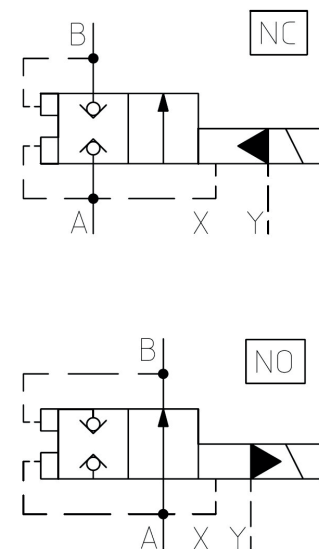
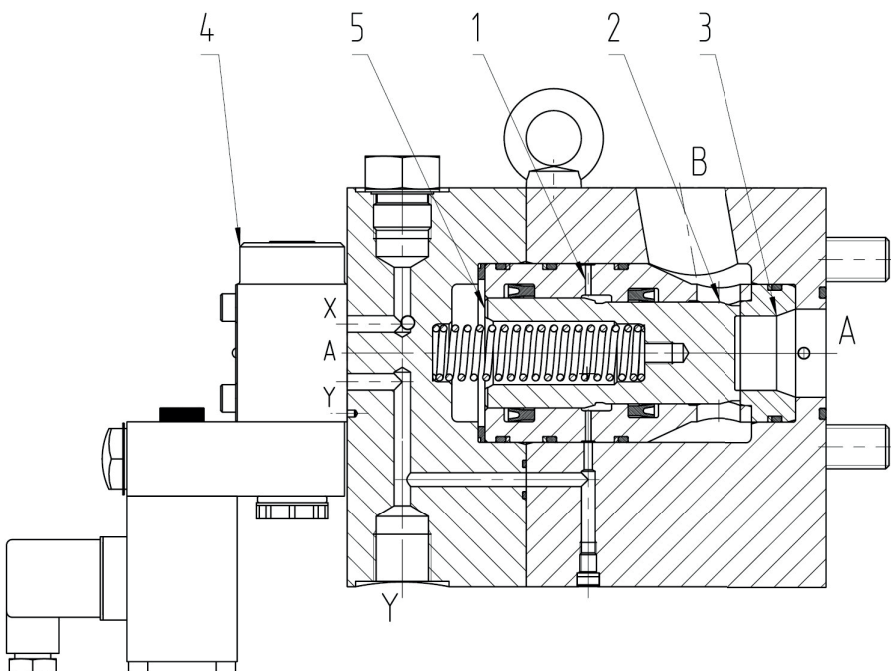
The control pressure (X) for switching the valve is tapped internally from the system pressure in port A. The valve piston (2) guided within the Valve seat sleeve (1) is pressed into the valve seat (3) by the hydraulic power and the spring force generated by the control pressure (X) via the pilot valve (4) on the control surface (5). Thus, the lines (A, B) are separated.

By switching the pilot valve (4), the control surface (5) is depressurized and the hydraulic power along the lines A can be used to lift the valve piston (2) off the valve seat (3), i.e. as soon as the hydraulic pressure is applied to the lines A, the valve piston (2) moves into the opened position up to the mechanical end position. Thus, the lines (A, B) are connected.

The pilot volume in the control room is discharged to the Y line via the Y connection of the pilot valve (4). Depending on the function of the pilot valve (4), the basic valve position can be specified normally closed (NC) or normally open (NO).

Example 2/2-way valve X, Y– controlled (NC):

Symbol



Technical data

measured with HFA medium 97/3%, at 20°C

General

Weight	see Order information
Installation position	any
Ambient temperature	-10 to 50°C (hydraulic fluids, heed standard requirements)
Material Valve parts	Stainless steel
Material Seals	NBR, PTFE, PUR

Hydraulic

Hydraulic pressure connector A, B	$\geq 20 \text{ bar} \leq 420 \text{ bar}$
Hydraulic pressure connector Y	$\leq 5 \text{ bar}$
Direction of flow	A→B
Pressure fluid	Water, HFA
- Medium - Temperature range	5 to 40°C
- Medium - Quality	see Hauhinco media requirement, water, HFA
- min. filter fineness connection A, B	Filter fineness 25µm
Use of other pressure fluids on request.	

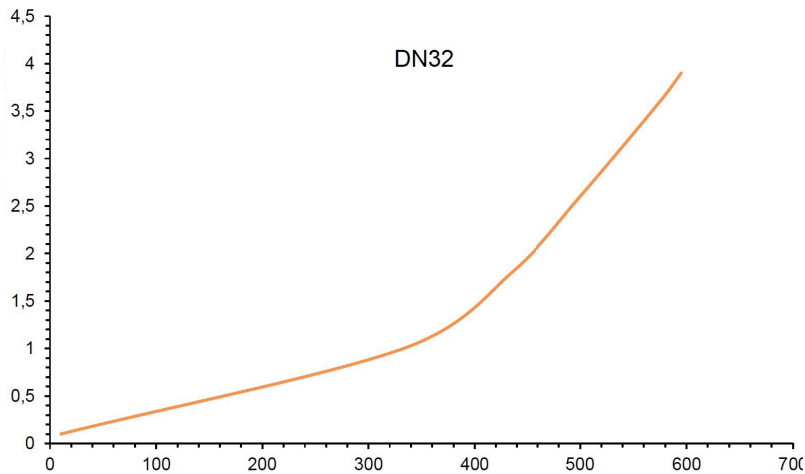
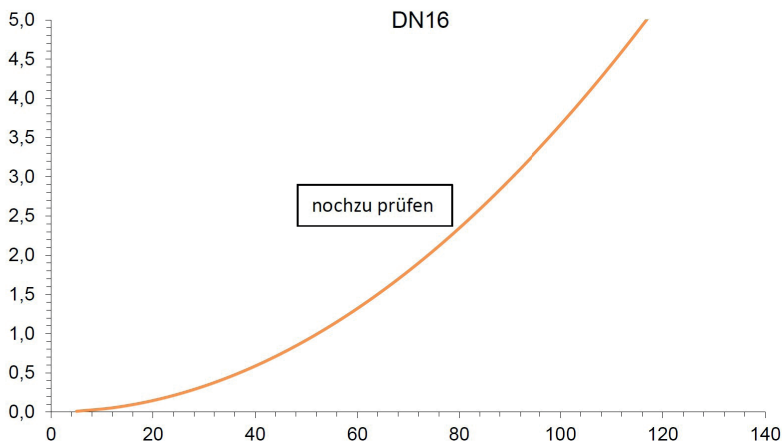
Electric

Magnet	
- Voltage	24 VDC, other voltages on request
- Power consumption	see Order information
- Operating time	100% OT
- Degree of protection acc. to EN60529	IP65
- max. switching rate	1Hz

Descaling valves

$\Delta p - q_v$ characteristic curves DN16

max. open valve, dyn. viscosity 1mm²/s



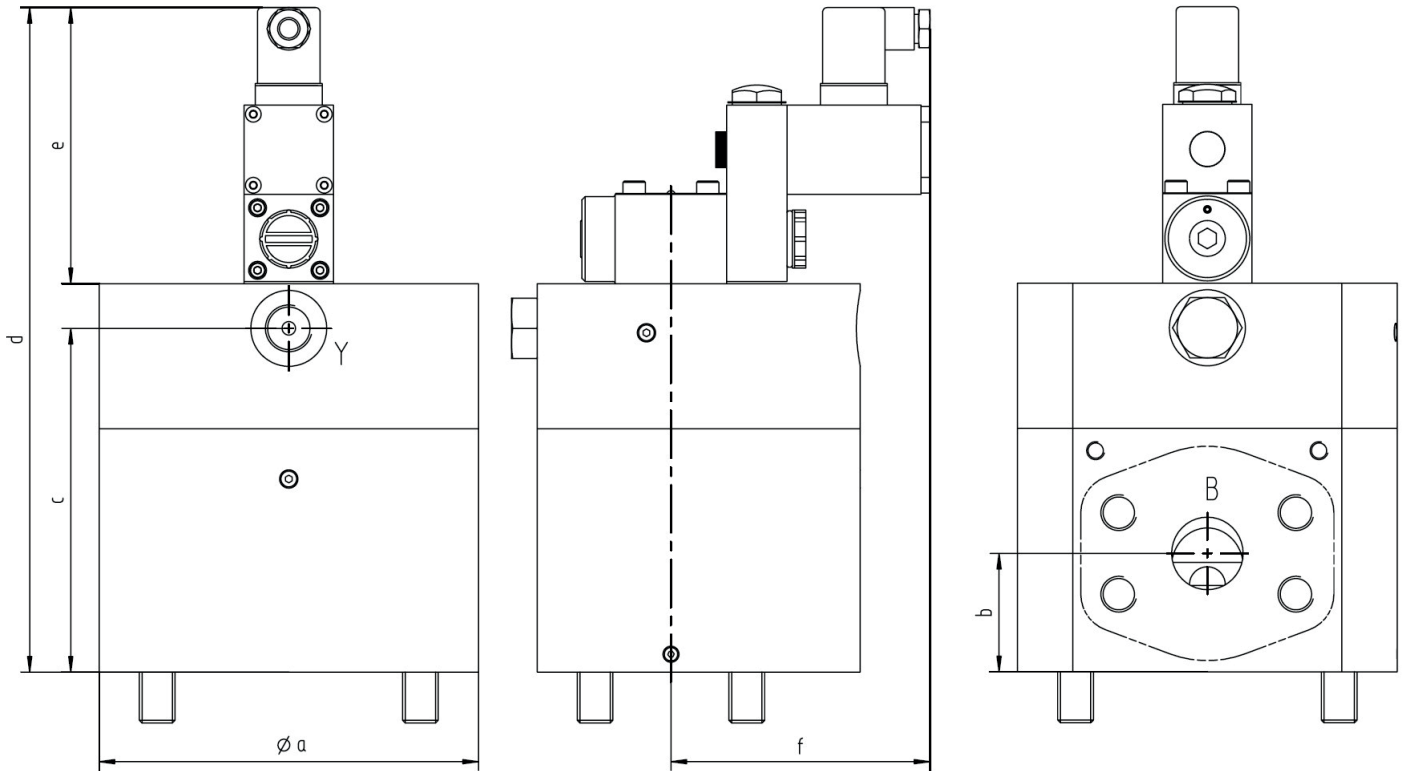
Order information 2/2 Way valve, X, Y controlled

Included in the scope of supply

Mounting screws for the 2/2-way valve assembly and the pilot valve

Nominal size	Weight [kg]	max. Pressure [bar]	Basic position	Dimensions [mm]						B	Y	Article number valve
				a	b	c	d	e	f			
DN16	10,0	420	NC	105	33	111	252	124	116	DIN 3852-X-G3/4 A	DIN 3852-X-G1/4 A	-
DN16	10,0	420	NO	105	33	111	252	124	116	DIN 3852-X-G3/4 A	DIN 3852-X-G1/4 A	-
DN32	28,0	420	NC	170	53	154	298	124	116	SAE 1-1/2 Serie 6000 ISO 6162-2	DIN 3852-X-G1/2 A	6600965
DN32	28,0	420	NO	170	53	154	298	124	116	SAE 1-1/2 Serie 6000 ISO 6162-2	DIN 3852-X-G1/2 A	6600965

Dimension sheet descaling valve



Item	Designation	Article number
1	2/2-way valve DN32- PN420, X,Y controlled, NO	6600965
1	Pilot valve DN3	6545777

Pilot valve

Nominal size	Basic position	Actuation	Current	Article number pilot valve
DN3	A→T NO		1,0 A	6545769
DN3	P→A NO	Electromagnet, voltage 24V DC, Cable socket magnet DIN43650 –	1,0 A	6545777
DN3	A→T NO	form A: max. 100VA, LED display + Zdiode, IP65	1,0 A	6545769
DN3	P→A NO		1,0 A	6545777

Order example