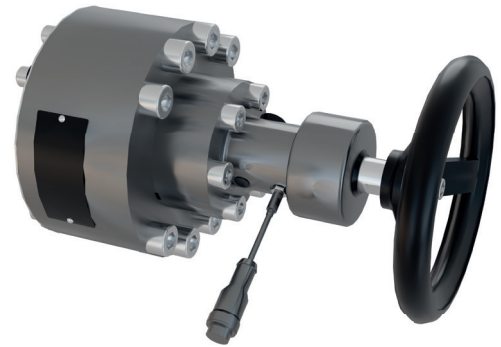


Throttle shut-off valve C-DR

DN10 - DN32 PN 320, PN500

Features

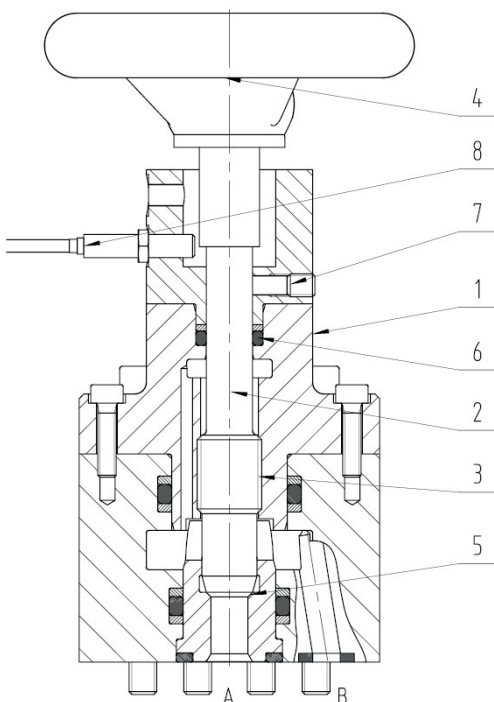
- Throttle shut-off valve controlling liquid media
- The valve is used to connect and shut off hydraulic lines, shut-off function
- A volume flow can be set via the selected valve piston position, throttle function
- Depending on the arrangement of the proximity switches, the opened or closed position is monitored
- Valve piston and seat are coupled and close hydraulically „leak-free“.
- Valve fastening structural plate form with a Hauhincó connection diagram
- Valve parts made of corrosion-resistant stainless steel



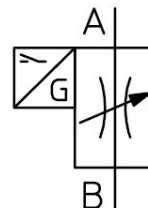
Function of throttle shut-off valve

The valve piston (2) guided within the valve body and cover (1) is adjusted by turning the handwheel (4) axially via the thread (3). By turning it clockwise, the valve is closed pressing the valve piston (2) into the valve seat (5). The thread (3) of the valve piston has a self-locking action; the hydraulic axial forces at the valve piston result in frictional forces within the thread (3) and on the piston seal (6) fixing the valve piston within the position. In addition, the valve piston can be fixed via the locking screw (7). The proximity switch (8) is arranged in the bottom position and monitors the closed valve position. In order to keep the actuation forces at the valve to a minimum, for this valve the preferred direction of flow is to be selected from the B-channel to the A-channel; depending on the valve size this specification may vary, see Valve data. To enable adjustment under pressure for larger nominal value and thus larger hydraulic surfaces, these valves are additionally equipped with a bearing.

Example non-return valve C-DR:



Symbol



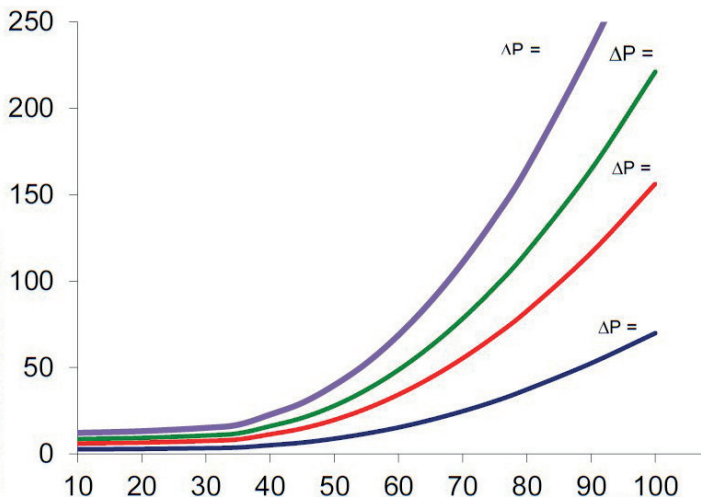
Technical data

measured with HFA medium 97/3%, at 20°C

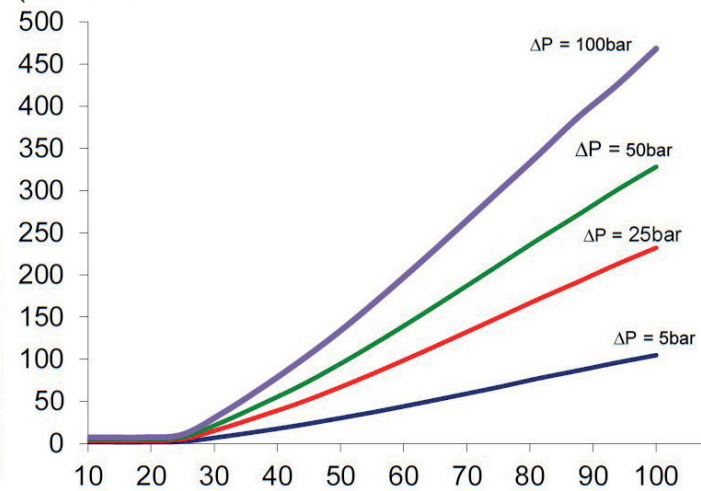
General	
Weight	see Order information
Installation position	any
Ambient temperature	-10 to 50°C (hydraulic fluids, heed standard requirements)
Material Valve parts	Stainless steel
Material Seals	NBR, PTFE, PUR
Hydraulic	
Hydraulic pressure connector A, B	≤ 320bar, ≤500bar, see Order information
Direction of flow	A→B, see Order information
Pressure fluid	Water, HFA
- Medium - Temperature range	5 to 40°C
- Medium - Quality	see Hauhinco media requirement, water, HFA
- min. filter fineness connection	Filter fineness 100µm
Pressure fluid	Mineral oil HLP according to DIN51624-2
- Medium - Temperature range	5 to 50°C
- Medium - Quality	Cleanliness class -/19/16 according to ISO 4406
- Viscosity	0,6 bis 100 mm ² /s
Use of other pressure fluids on request.	
Ranges of application	
Shut-off function	Monitoring of the closed valve position for a normal operation, e.g. pressure relief, ventilation, drain valve, pressure shut-off for safely shutting off a hydraulic system.
	Monitoring of the open valve position for the normal operation, e.g. safe pressure application, shut-off only during maintenance work
Throttle function	Setting of the volume flow as required, e.g. setting the speed of motion at the consumer.

Characteristic curves throttle shut-off valve C-DR DN10 - DN 32

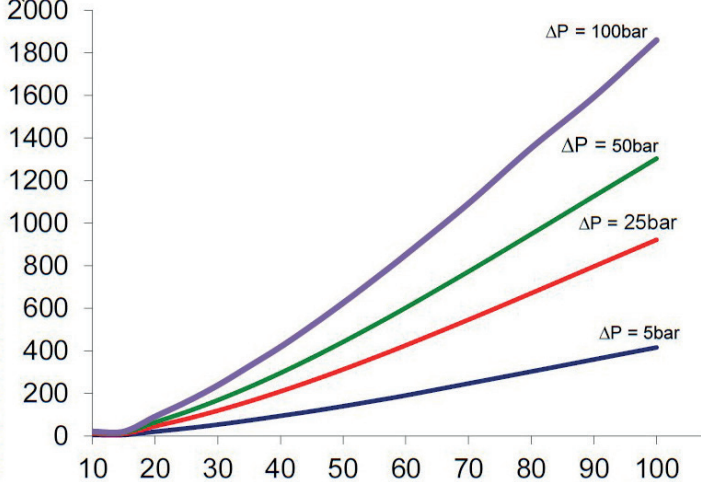
$\Delta P - Q$ characteristic curves DN10



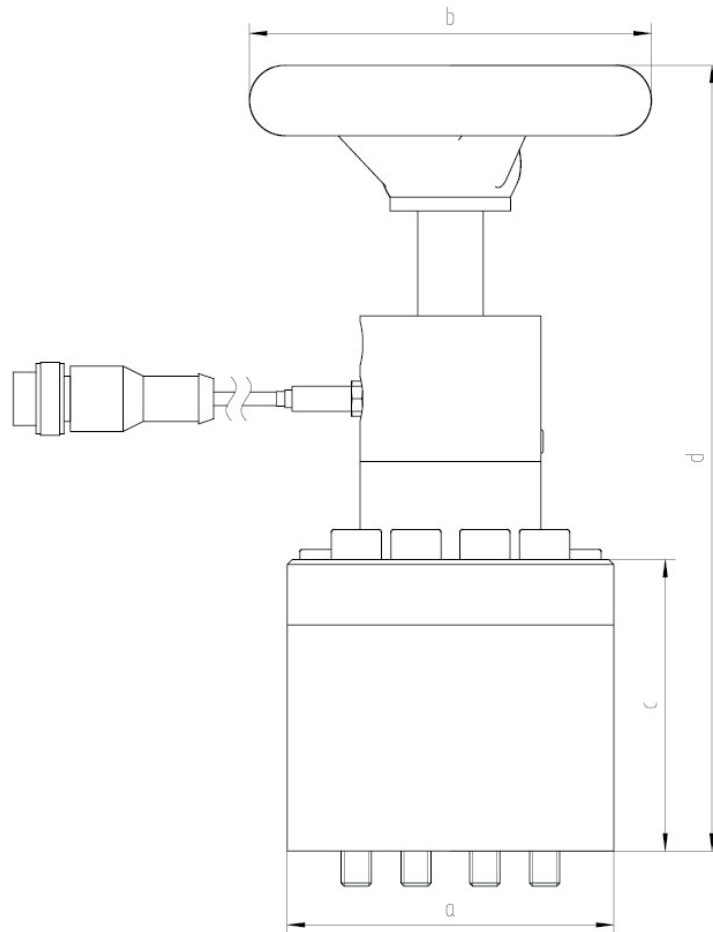
$\Delta P - Q$ characteristic curves DN16



$\Delta P - Q$ characteristic curves DN32



Dimension sheet throttle shut-off valve C-DR



Order information

Included in the scope of supply

Mounting screws for the non-return valve

Designation	Nominal size	Weight [kg]	max. Pressure [bar]	with bearing	Dimensions [mm]				Article number
					a	b	c	d	
Throttle shut-off valve C-DR	DN10	2,0	320	no	65	80	58	157	6274269
Throttle shut-off valve C-DR	DN10	1,8	500	no	65	-	68	97	6398480
Throttle shut-off valve C-DR	DN16	5,7	320	yes	100	125	60	203	6606267
Throttle shut-off valve C-DR	DN16	7,3	500	yes	120	125	60	203	6603266
Throttle shut-off valve C-DR	DN25		320	no					
Throttle shut-off valve C-DR	DN32	14,5	320	yes	140	125	96	256	6603268