

# Non-return valve insert E-RV

DN32 - DN50, PN 420

## Features

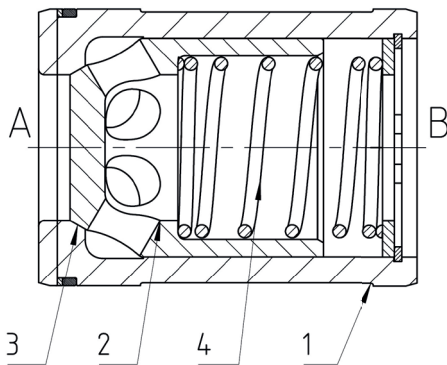
- Non-return valve controlling liquid media
- Opening pressure of the preload spring is „1bar“, other opening pressures on request
- Valve piston and valve seat are coupled and close hydraulically „leak-free“.
- Valve parts made of corrosion-resistant stainless steel



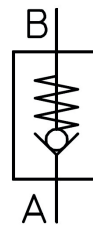
## Function of non return valve

The valve piston (2) guided within the valve seat bush (1) is pressed into the valve seat (3) by the force of the spring (4) and blocks the flow direction from the B to the A channel. Conversely, the non-return valve opens when the hydraulic pressure at the A-channel exceeds the spring force (4).

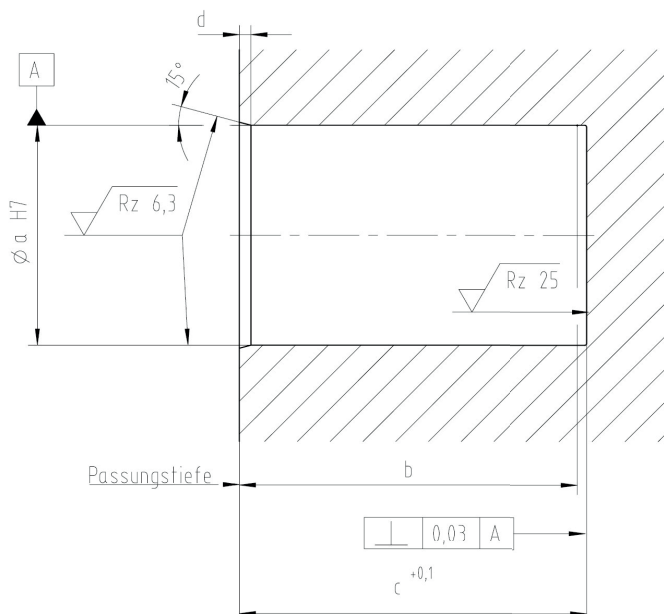
### Example non-return valve E-RV



### Symbol



## Dimension sheet



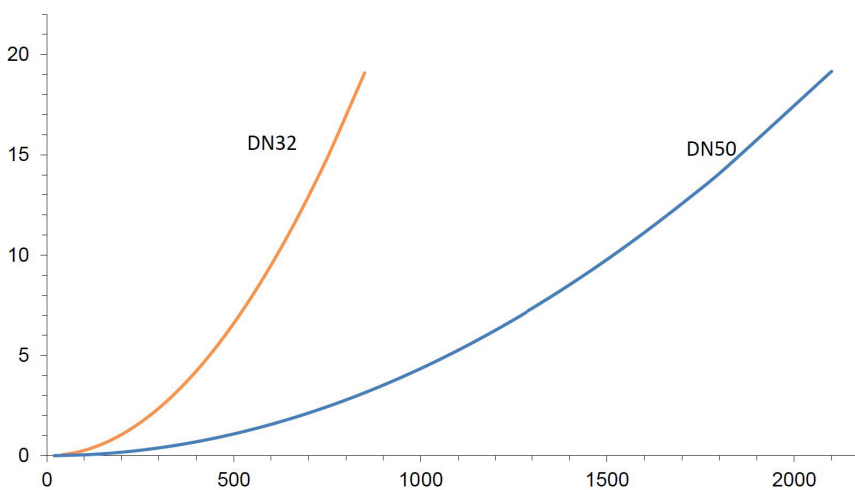
# Technical data

measured with HFA medium 97/3%, at 20°C

General	
Weight	see Order information
Installation position	any
Ambient temperature	-10 to 50°C (hydraulic fluids, heed standard requirements)
Material Valve parts	Stainless steel
Material Seals	NBR, PTFE
Hydraulic	
Hydraulic pressure connector A, B	≤ 420 bar
Direction of flow	A→B
Pressure fluid	Water, HFA
- Medium - Temperature range	5 to 40°C
- Medium - Quality	see Hauhinco media requirement, water, HFA
- min. filter fineness connection	Filter fineness 100µm
Pressure fluid	Mineral oil HLP according to DIN51624-2
- Medium - Temperature range	5 to 50°C
- Medium - Quality	Cleanliness class -/19/16 according to ISO 4406
- Viscosity	0,6 bis 100 mm <sup>2</sup> /s
Use of other pressure fluids on request.	

## Characteristic curves DN32 - DN50

$\Delta p - q_v$  characteristic curves      max. open valve, dyn. viscosity 1mm<sup>2</sup>/s



## Order information non return valve insert E-RV

Nominal size	Weight [kg]	max. Pressure [bar]	Opening pressure [bar]	Dimensions [mm]				Article number
				a	b	c	d	
DN32	2,8	420	~1,0	Ø63	77	80	4	6572871
DN50	4,0	420	~1,0	Ø95	126	130	4	6601246