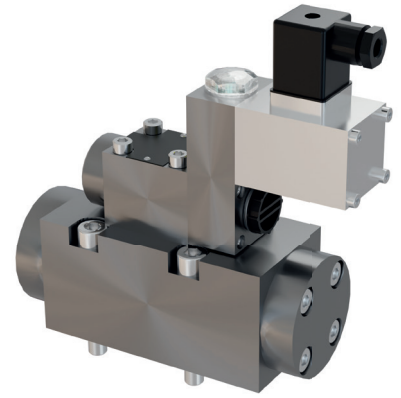


3/2-way valve B1 X, Y internally actuated

DN3 - DN25, PN320, PN500

Features:

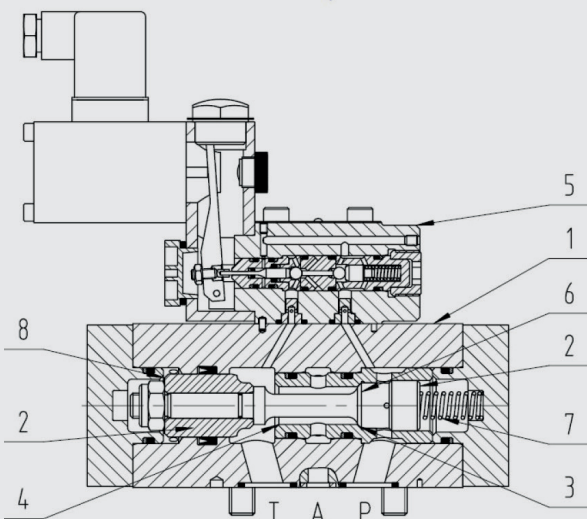
- Hydraulically actuated directional seat valve controlling liquid media.
- Passively controllable 3/2-way valve with 1-stage control logic
- The basic valve position is maintained by the hydraulic pressure (P)
- The valve is designed in two function variants , A-T NO and P-T NO
- The nominal value DN16 provides the switching function starting with a hydraulic pressure of 3bar
- The hydraulic control pressure (X, Y) is picked off internally along the lines (P, T)
- Valve piston and valve seat are coupled and close hydraulically „leak-free“
- The valve is actuated hydraulically via a 3/2-way pilot valve
- Valve fastening structural plate form with a Hauhinco connection diagram



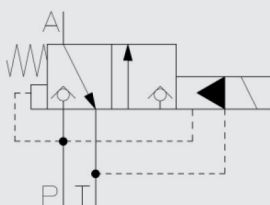
Function of 3/2-way valve A→T NO

The valve piston (2) guided within the valve body (1) is pressed into the valve seat (3) by the hydraulic power and the spring force (7) generated by the operating pressure (P) on the control surface (6). Thus, the line (P) is shut off and the lines (A, T) are connected. By switching the pilot valve (5), the control surface (8) is pressurised and the valve piston (2) is moved into the actuated position. Thus, the valve piston (2) is pressed into the valve seat (4), the lines (P, A) are connected and the line (T) shut off. Within the switching phase, the valve is provided with a positive overlap.

Examples 3/2-way valvel A→T NO



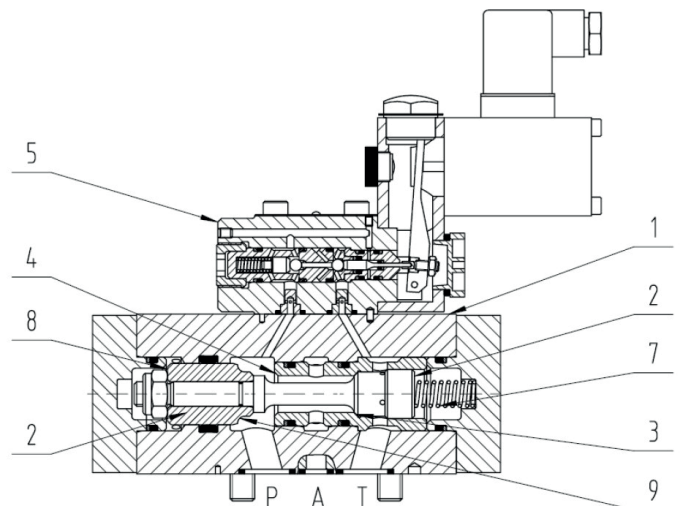
Symbol



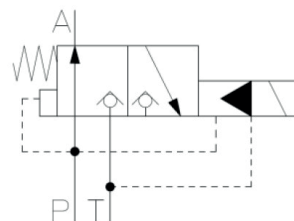
Function of 3/2-way valve P→A NO

The valve piston (2) guided within the valve body (1) is pressed into the valve seat (3) by the hydraulic power and the spring force (7) generated by the operating pressure (P) on the control surface (9). Thus, the line (T) is shut off and the lines (P, A) are connected. By switching the pilot valve (5), the piston valve area (8) is pressurised and the valve piston (2) is moved into the actuated position. Thus, the valve piston (2) is pressed into the valve seat (4), the lines (A, T) are connected and the line (P) is shut off. Within the switching phase, the valve is provided with a positive overlap.

Examples 3/2-way valve P→A NO



Symbol



Technical data

measured with HFA medium 97/3%, at 20°C

General

Weight	see Order information
Installation position	any
Ambient temperature	-10 to 50°C (hydraulic fluids, heed standard requirements)
Material Valve parts	Stainless steel, except for the electromagnet
Material Seals	NBR, PTFE

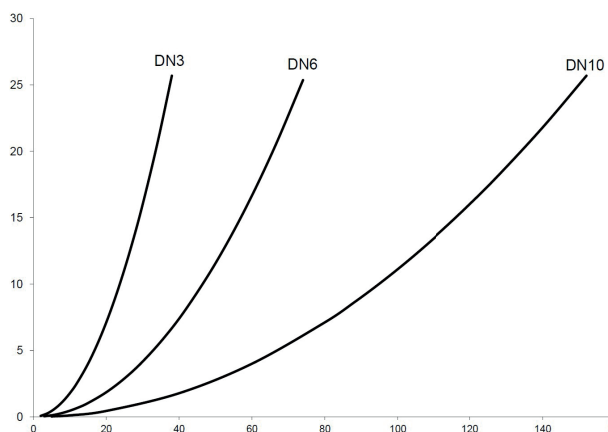
Hydraulic

Hydraulic pressure connector P, X	≤ 320 bar, bzw. ≤ 500bar, see Order information
Hydraulic pressure connector A	≤ P ≤ 320bar bzw. ≤ 500bar, see Order information
Hydraulic pressure connector T, Y	≤ 10 bar
Direction of flow	P→A, A→T
Pressure fluid	Water, HFA
- Medium - Quality	see Hauhinco media requirement, water, HFA
- Medium - Temperature range	5 - 40°C
- min filter fineness connector P, A, T	Filter fineness 25µm
Pressure fluid	Mineral oil HLP according to DIN51624-2
- Medium - Temperature range	5 to 50°C
- Medium - Quality	Cleanliness class -/19/16 according to ISO 4406
- Viscosity	0,6 bis 100 mm ² /s
Use of other pressure fluids on request.	

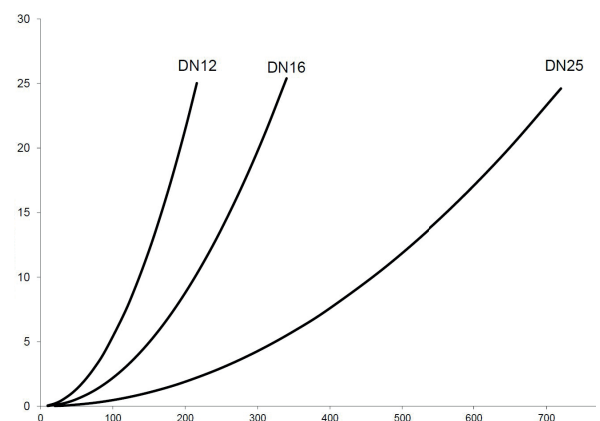
Electric

Magnet	24 VDC
- Voltage	see Order information
- Operating time	100% OT
- Degree of protection acc. to EN60529	IP65
- max. switching rate	0,5 Hz

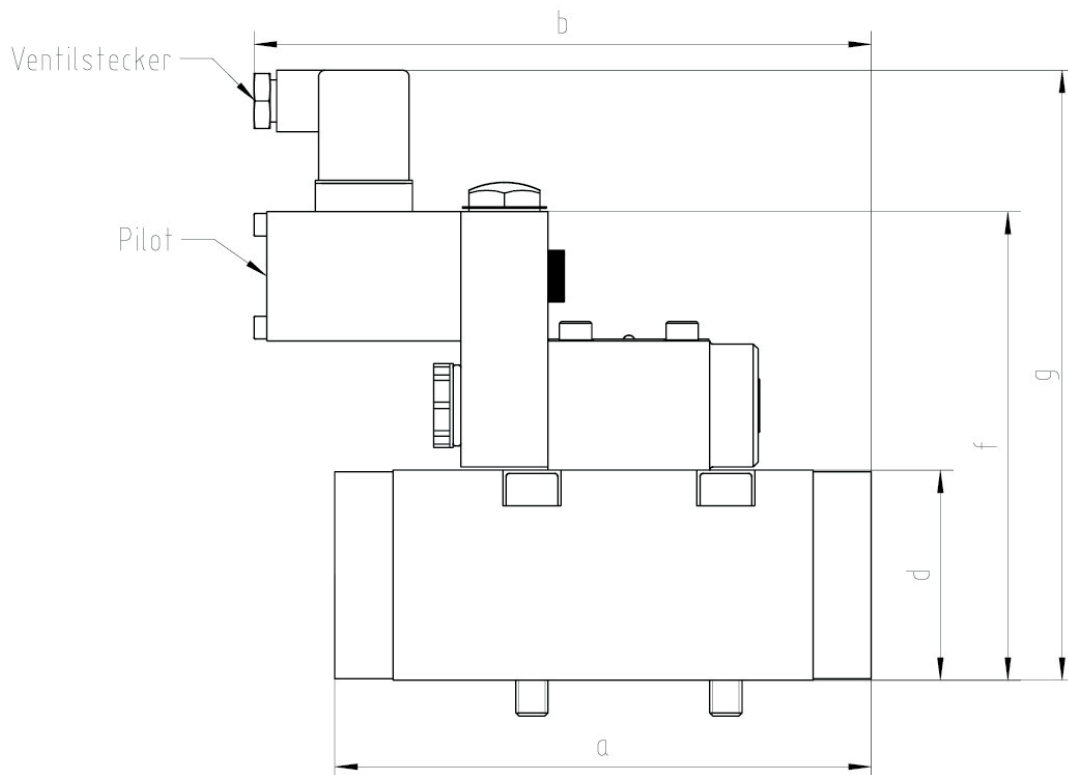
$\Delta p - q_v$ characteristic curves DN3 - DN10



$\Delta p - q_v$ characteristic curves DN12 - DN25



3/2-way valve B1, X, Y, internally, PN 320 PN500, DN3 - DN25



Order information 3/2-way valve B1, X, Y internally

Included in the scope of supply

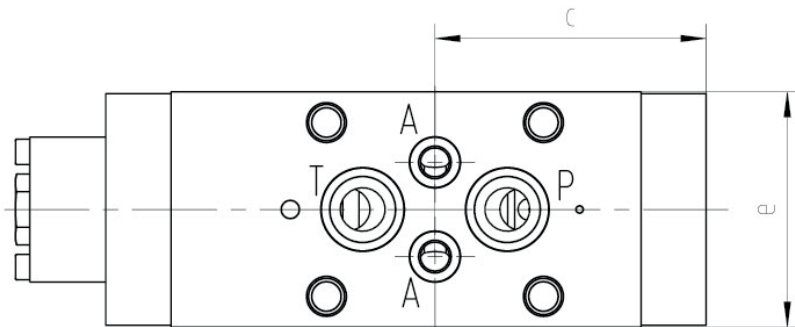
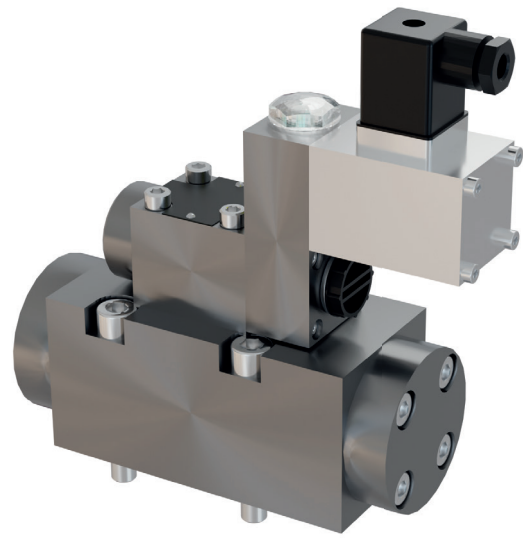
Mounting screws of the valve

Cheese-head screw

Cable socket of the valve solenoid
- Supply voltage 24 VDC

according to DIN 43650 – type of design A
max. 100 VA

Nominal size	Weight [kg]	max. Pressure [bar]	Basic position	min. pressure difference [bar]	Dimensions [mm]							Article number valve B1
					a	b	c	d	e	f	g	
DN3	3,0	320	A→T NO	30	114	169	53	40	40	120	164	6264832
DN3	3,0	320	P→A NO	30	114	177	61	40	40	120	164	6264824
DN6	5,0	320	A→T NO	30	118	189	53	40	50	140	181	6264808
DN6	5,0	320	P→A NO	30	118	201	65	40	50	140	181	6264816
DN10	7,0	500	A→T NO	30	166	191	75	65	65	154	189	6271820
DN10	7,0	500	P→A NO	30	166	207	91	65	65	145	189	6600028
DN12	7,0	320	A→T NO	10	166	191	75	65	65	145	189	6266975
DN12	7,0	320	P→A NO	30	166	207	91	65	65	145	189	6266983
DN16	13,0	320	A→T NO	10	205	206	90	90	90	170	214	6161448
DN16	14,0	320	P→A NO	30	205	231	115	90	90	170	214	6161405
DN25	33,0	320	A→T NO	30	294	266	132	125	125	205	249	6153208



Pilot valve

Nominal size	Basic position	Actuation	Current	Article number valve
DN3	A→T NO		1,0 A	6545599
DN3	A→T NO		1,0 A	6545599
DN6	A→T NO		1,5 A	6546749
DN6	A→T NO		1,5 A	6546749
DN3	A→T NO	Electromagnet, voltage 24V DC, Cable socket	1,0 A	6545769
DN3	A→T NO	magnet DIN43650 – form A: max. 100VA,	1,0 A	6545769
DN3	A→T NO	LED display + Z-diode, IP65	1,0 A	6545599
DN3	A→T NO		1,0 A	6545599
DN3	A→T NO		1,0 A	6556515
DN3	A→T NO		1,0 A	6556515
DN3	A→T NO		1,0 A	6557910

Item	Designation	Article number
1	3/2-way valve DN10- PN500 B1, X, Y, internally- 24VDC-P-A NO	6600028
1	Pilot valve DN3	6545769

Order example