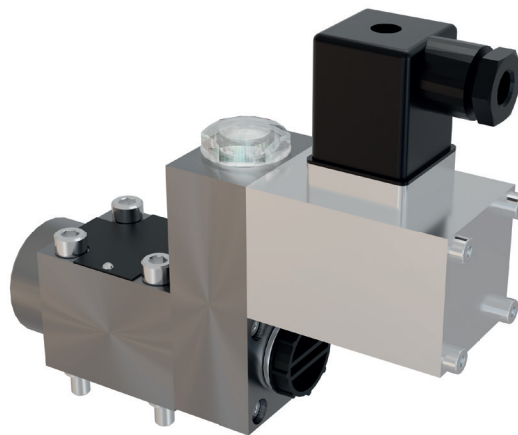


# Directly actuated seat valves DN10 | PN100 | 60l/min

2/2- and 3/2-ways



## Technical data

measured with HFA medium 97/3%, at 20°C

General	
Weight	8,1 kg
Installation position	any
Ambient temperature	-10 to 50°C (hydraulic fluids, heed standard requirements)
Material Valve parts	Stainless steel, bronze except electromagnet
Material Seals	NBR, PTFE
Hydraulic	
max. operating pressure of connector P	100bar
max. operating pressure of connector A	100bar
max. operating pressure of connector T	50bar
max./min. control pressure of connector Z	see Order information
max. volume flow P→A	60 l/min
max. volume flow A→T	60 l/min
specified direction of flow	P→A, A→T
Pressure fluid	water, HFA
- Medium - Temperature range	5 bis 50°C
- Medium - Quality	see Hauhinco requirements on water and HFA media
- Cleanliness class, filter fineness	class 20/18/15, filter fineness 25µm
- Viscosity	0,6 bis 100 mm <sup>2</sup> /s
Pressure fluid	mineral oil, HLP
- Medium - Temperature range	-10 bis 50°C
- Medium - Quality	acc. to DIN 51524
- Cleanliness class, filter fineness	Class 20/18/15, filter fineness 25µm
- Viscosity	0,6 bis 100 mm <sup>2</sup> /s
Use of other pressure fluids on request.	
Electric	
Voltage	24 VDC, 110 VAC (96 VDC), 230 VAC (205 VDC)
AC grid, admissible tolerance	± 10%
AC grid, admissible frequency	50 bis 60 Hz
Power consumption	55 W
Operating time	100% ED
Degree of protection acc. to EN60529	IP65
max. switching rate	1 Hz

## Order information

### Included in the scope of supply

Mounting screws of the valve	Cheese-head screw M10
Cable socket of the valve solenoid - Supply voltage 24 VDC - Supply voltage 110 VAC - Supply voltage 230 VAC	according to DIN 43650 – type of design A max. 100 VA, LED-display + Z-diode, IP65 max. 1.5 A, bridge rectifier, LED display, IP65 max. 1.5 A, bridge rectifier, LED display, IP65

2/2-way valve DN10 | PN100 | 60l/min, solenoid actuation

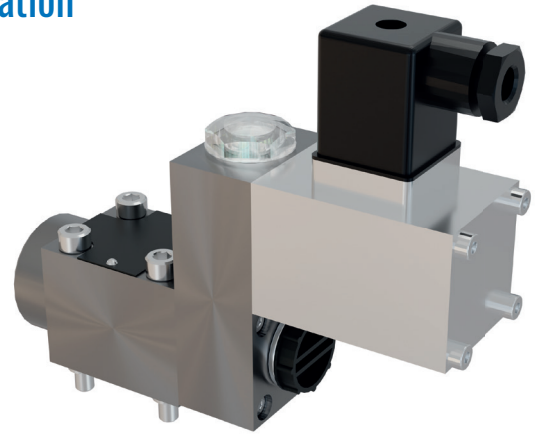
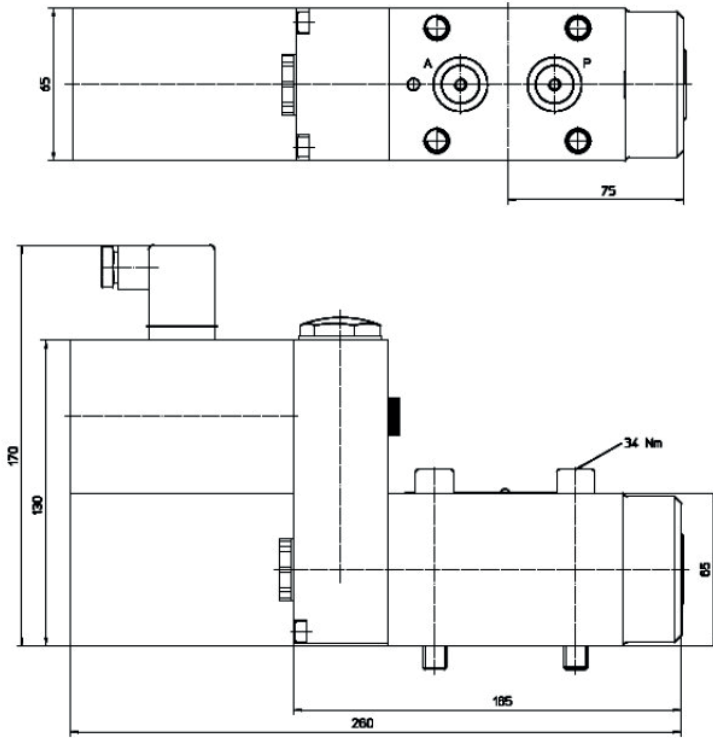
Designation	Basic position	Voltage	Article number
2/2-way valve DN10 PN100	NC	24 VDC	6572693
	NC	110 VAC	auf Anfrage
	NC	230 VAC	auf Anfrage
2/2-way valve DN10 PN100	NO	24 VDC	6576206
	NO	110 VAC	auf Anfrage
	NO	230 VAC	auf Anfrage

3/2-way valve DN10 | PN100 | 60l/min, solenoid actuation

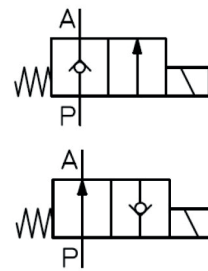
Designation	Basic position	Voltage	Article number
3/2-way valve DN10 PN100	A→T NO	24 VDC	6576214
	A→T NO	110 VAC	auf Anfrage
	A→T NO	230 VAC	auf Anfrage
3/2-way valve DN10 PN100	P→A NO	24 VDC	6576222
	P→A NO	110 VAC	auf Anfrage
	P→A NO	230 VAC	auf Anfrage

# 2/2-way valve DN10 | PN100 | 60l/min, solenoid actuation

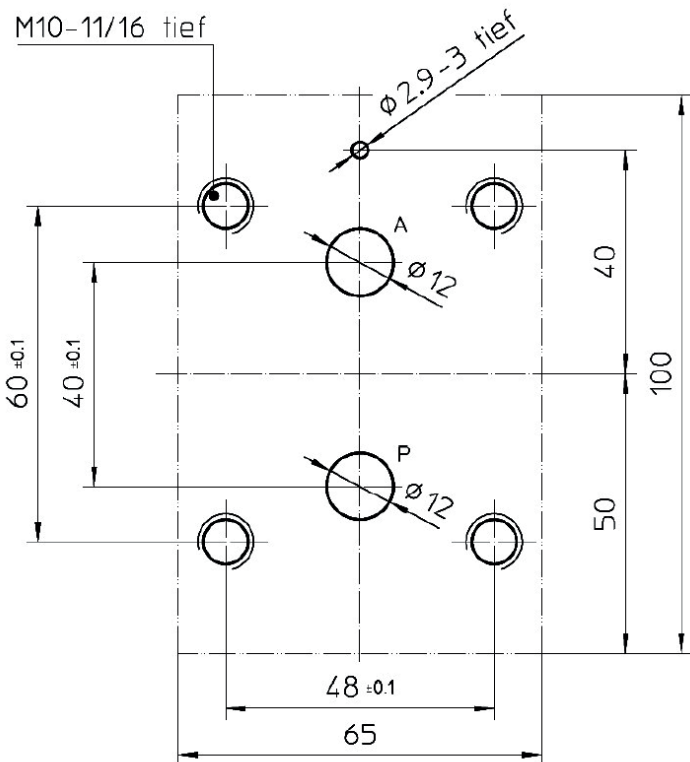
## Dimensions



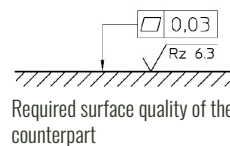
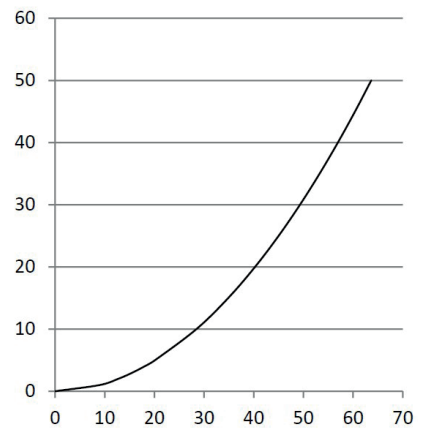
## Symbol



## Connection diagram

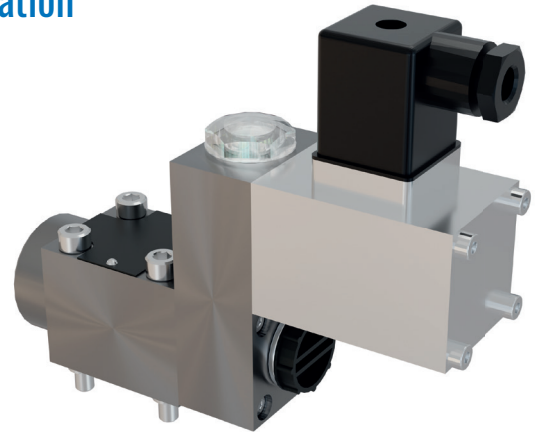
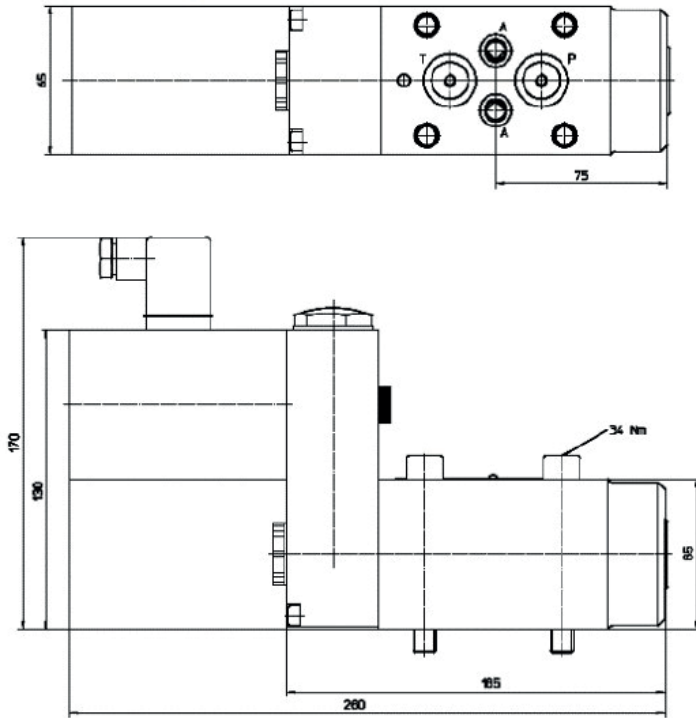


## $\Delta p - qV$ characteristic curve

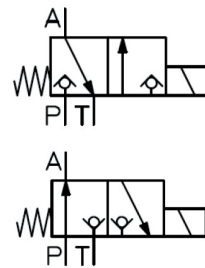


# 3/2-way valve DN10 | PN100 | 60l/min, solenoid actuation

## Dimensions

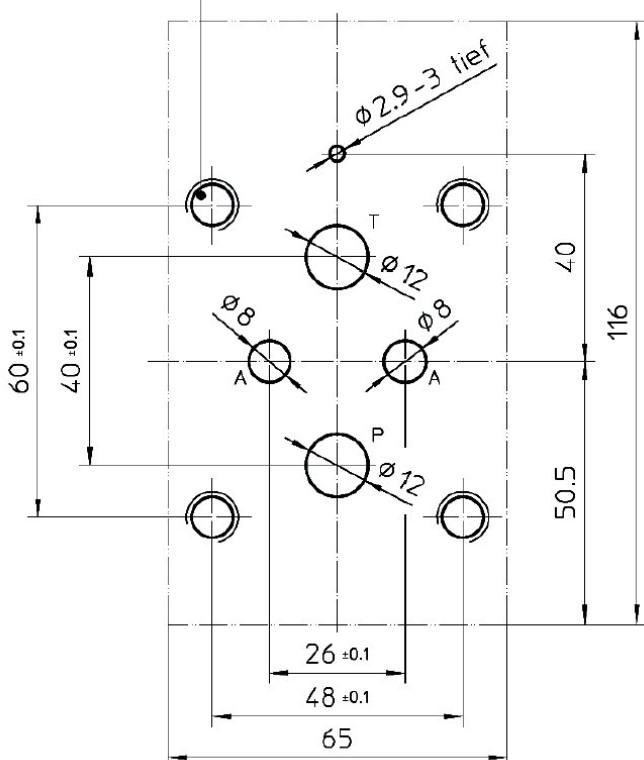


## Symbol



## Connection diagram

M10-11/16 tief



## $\Delta p - qV$ characteristic curve

