

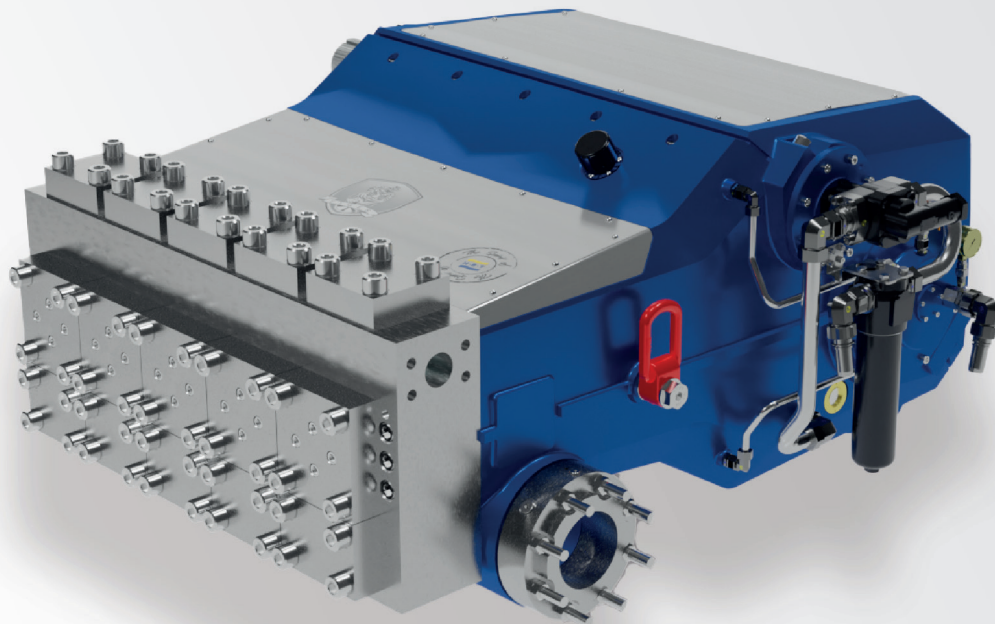
Quintuplex-Plunger Pump

# EHP-5K 850S

# Hauhinco

AN HBT GROUP COMPANY

Stainless Steel Pumphead, cylinder valve design (SZ)



## Technical data

Plunger-diameter	Input speed 1.500 1/min		Input speed 1.800 1/min	
	Gear ratio 3,346		Gear ratio 3,346	
	max. Operating pressure <sup>(1)</sup>	Flow rate	max. Operating pressure <sup>(1)</sup>	Flow rate
mm	bar	dm <sup>3</sup> /min	bar	dm <sup>3</sup> /min
62	420	947	420	1137
66	420	1074	375	1288
68,5	420	1156	350	1388
72,5	375	1295	310	1555
78,5	320	1519	265	1823
85	270	1781	230	2137

■ **max. input speed:**  
1,500 / 1,800 1/min

■ **max. input power:**  
855 kW

■ **available variations:**  
Stainless steel pumphead cylinder valve design (SZ)

1 kW = 1.3410 HP    1 bar = 14.5038 psi  
1 kg = 2.205 lbs    1 l = 0.26417 Gal.

<sup>(1)</sup> Max. approved operating pressure at the pressure connection pump head.

<sup>(2)</sup> The weight specifications apply for pumps without any attachment parts.

Quintuplex-Plunger Pump

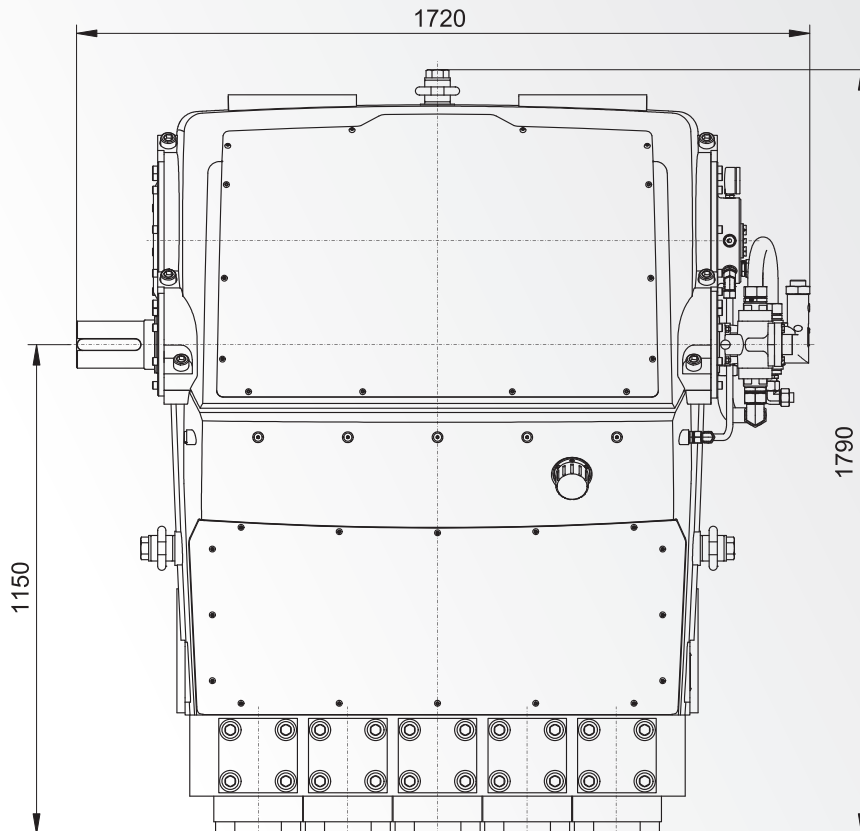
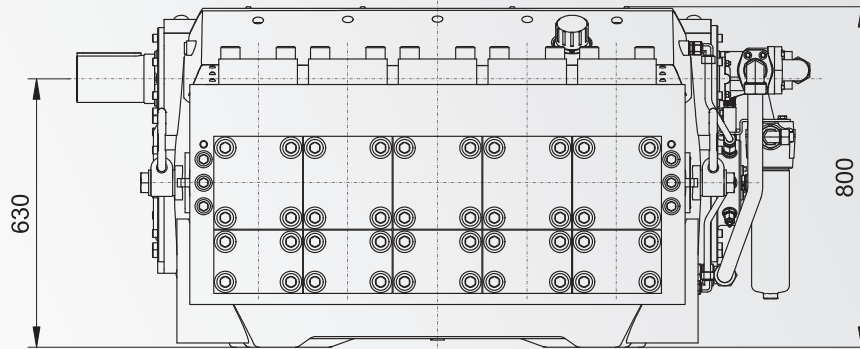
# EHP-5K 850S



# Hauhinco

AN HBT GROUP COMPANY

Foot-type, with cylinder valves



■ **Weight<sup>[2]</sup>**  
4,380 kg

Technical specifications are subject to change. All information and illustrations are non-binding.

Hauhinco Maschinenfabrik GmbH

Hölderstraße 51  
45549 Sprockhövel  
Germany

Phone: +49 2324 705-0  
Fax: +49 2324 705-222  
E-mail: [sales@hauhinco.de](mailto:sales@hauhinco.de)  
Web: [www.hauhinco.de](http://www.hauhinco.de)

HBT Americas LLC

1325 Evans City Road  
Evans City  
Pennsylvania  
16033 USA

Phone: +1 724 789-7050  
Fax: +1 724 789-7056  
E-mail: [info@hauhinco.com](mailto:info@hauhinco.com)  
Web: [www.hauhinco.com](http://www.hauhinco.com)