

Non-return valve B-RV

PN 320, PN500
DN3 – 10

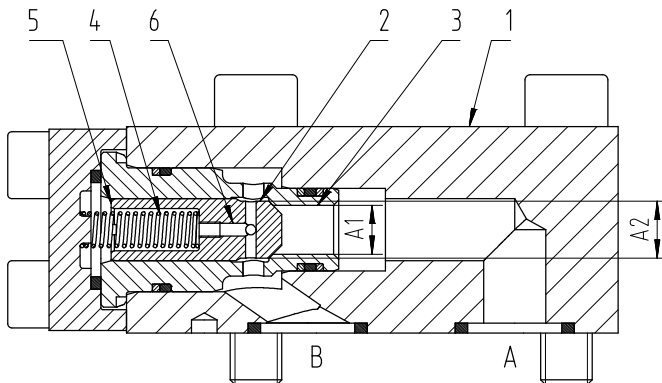
Features

- Non-return valve controlling liquid media
- Opening pressure of the preload spring is "1bar", other opening pressures on request
- Valve piston and valve seat are coupled and close hydraulically "leak-free".
- Valve fastening structural plate form with a Hauhinco connection diagram
- Valve parts made of corrosion-resistant stainless steel

Function of 2/2-way valve

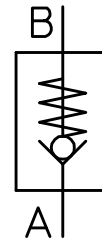
The valve piston (2) guided within the valve body (1) is pressed into the valve seat (3) by the force of the spring (4). The control chamber (5) is connected to the B-channel via the control channels (6) within the valve piston (2). The hydraulic pressure supplied at the B-channel with the valve closed is thus also acting on the control surface (A2). This pressure keeps the valve closed and shuts off the direction of flow from the B- to the A-channel. Conversely, the non-return valve opens when the hydraulic pressure at the A-channel exceeds the hydraulic pressure at the B-channel and the spring force (4). In order to reach the initial opening of the closed valve, the hydraulic pressure within the A-channel must be greater by the factor of the control ratio $A2/A1$. The response behaviour of the valve is dampened by the throttling pin.

Example non-return valve B-RV:



Control surfaces, hydraulic forces

A channel: Area A1, open valve
B channel: Area A2, close valve
Control surface (5) = $A2 > A1$



Non-return valve B-RV, DN3 – 10 | PN320, PN500

Technical data

measured with HFA medium 97/3%, at 20°C

general

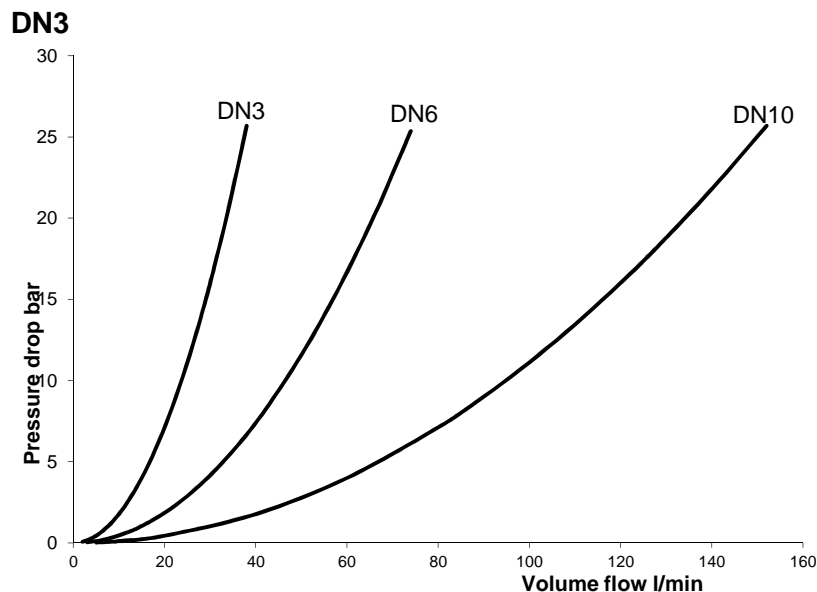
Weight	see Valve data
Installation position	any
Ambient temperature	-10 to 50°C (hydraulic fluids, heed standard requirements)
Material	- Valve parts - Seals
	Stainless steel NBR, PTFE, PUR

hydraulic

hydraulic pressure connector A, B	≤ 320 bar, ≤500 bar, see Valve data
Direction of flow	A→B
Control ratio	A1≤A2, A1, A2 – control surfaces
Pressure fluid	Water, HFA see Hauhinco media requirement, water, HFA
- Medium - Quality	5 – 40°C
- Medium - Temperature range	Filter fineness 100µm
- min filter fineness connector A, B	Mineral oil HLP according to DIN51624-2 Cleanliness class -/19/16 according to ISO 4406
Pressure fluid	5 – 50°C
- Medium - Quality	0.6 to 100 mm ² /s
- Medium - Temperature range	
- Viscosity	

Use of other pressure fluids on request.

ΔP-Q valve characteristics



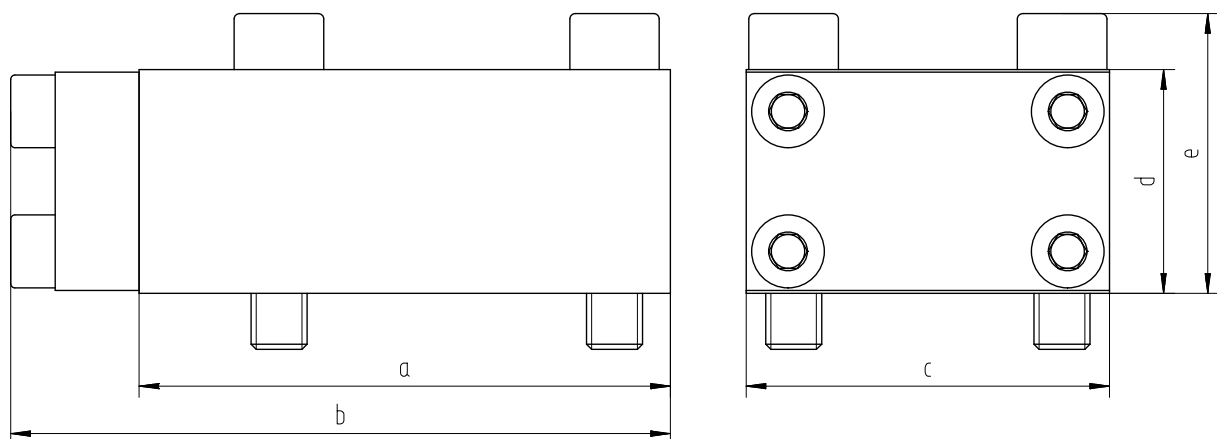
Non-return valve B-RV, DN3 – 10 | PN320, PN500

Valve data

Nominal value		DN3	DN6	DN6	DN10	DN10
Pressure stage		PN320	PN320	PN500	PN320	PN500
Weight		0.7 kg	0.9 kg	0.9 kg	2.2 kg	2.2 kg
Control ratio	A2/A1	1.35	1.35	1.35	1.20	1.35
Non-return valve	Art. No.	6356435	6355846	6392636	6356419	6396291
	a	58	62	62	95	95
	b	76	80	80	118	118
	c	40	50	50	65	65
	d	30	30	30	40	40
e	36	38	38	50	50	
Connection diagram	Art. No.	6559751	6559786	6559786	6575757	6575757

Dimension sheet

Non-return valve B-RV – DN3 – DN10



Included in the scope of supply:

- Mounting screws for the non-return valve

Ordering example 1: Non-return valve B-RC – DN6-PN320
Art. No. 6355846