

3/2-way valve B1 X,Y - internally

DN3 – DN25
PN320, PN500

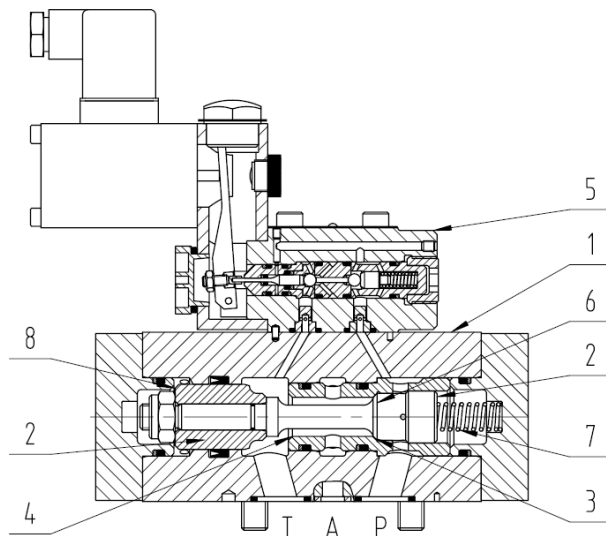
Features:

- Hydraulically actuated directional seat valve controlling liquid media.
- Passively controllable 3/2-way valve with 1-stage control logic
- The basic valve position is maintained by the hydraulic pressure (P)
- The valve is designed in two function variants , A-T NO and P-T NO
- The nominal value DN16 provides the switching function starting with a hydraulic pressure of 3bar
- The hydraulic control pressure (X, Y) is picked off internally along the lines (P, T)
- Valve piston and valve seat are coupled and close hydraulically "leak-free"
- The valve is actuated hydraulically via a 3/2-way pilot valve
- Valve fastening structural plate form with a Hauhinco connection diagram

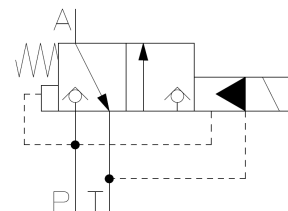
Function of 3/2-way valve A→T NO

The valve piston (2) guided within the valve body (1) is pressed into the valve seat (3) by the hydraulic power and the spring force (7) generated by the operating pressure (P) on the control surface (6). Thus, the line (P) is shut off and the lines (A, T) are connected. By switching the pilot valve (5), the control surface (8) is pressurised and the valve piston (2) is moved into the actuated position. Thus, the valve piston (2) is pressed into the valve seat (4), the lines (P, A) are connected and the line (T) shut off. Within the switching phase, the valve is provided with a positive overlap.

Examples 3/2-way valve A→T NO:



Symbol

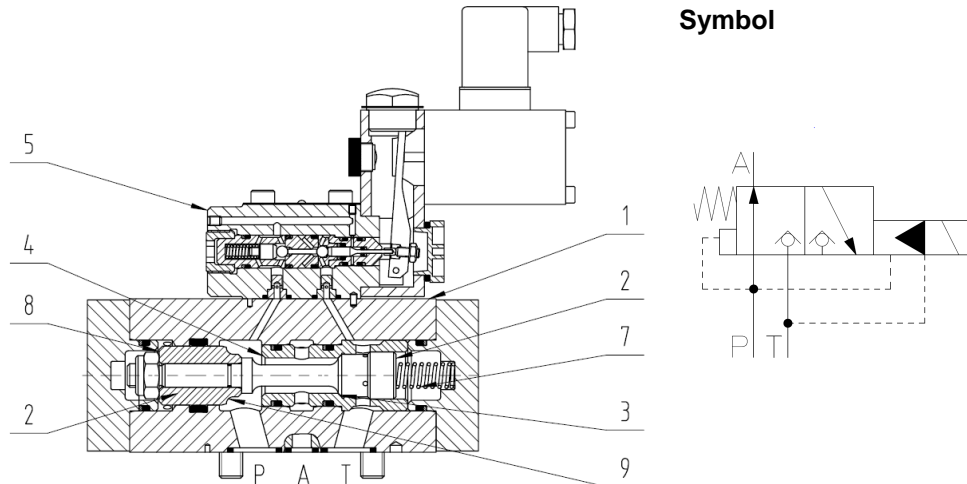


Function of 3/2-way valve P→A NO

The valve piston (2) guided within the valve body (1) is pressed into the valve seat (3) by the hydraulic power and the spring force (7) generated by the operating pressure (P) on the control surface (9). Thus, the line (T) is shut off and the lines (P, A) are connected. By switching the pilot valve (5), the piston valve area (8) is pressurised and the valve piston (2) is moved into the actuated position. Thus, the valve piston (2) is pressed into the valve seat (4), the lines (A, T) are connected and the line (P) is shut off. Within the switching phase, the valve is provided with a positive overlap.

3/2-way valve B1, DN3 – DN25 | PN320, PN500, X, Y-internally

Examples 3/2-way valve P→A NO:



Technical data

measured with HFA medium 97/3%, at 20°C

general

Weight	see Order information
Installation position	any
Ambient temperature	-10 to 50°C (hydraulic fluids, heed standard requirements)
Material	
- Valve parts	Stainless steel, except for the electromagnet
- Seals	NBR, PTFE

hydraulic

hydraulic pressure connector P , X	≤ 320 bar or ≤ 500 bar, see Valve data
hydraulic pressure connector A	≤ P ≤ 320 bar or ≤ 500 bar, see Valve data
hydraulic pressure connector T , Y	≤ 10 bar
Direction of flow	P → A, A → T
Pressure fluid	Water, HFA
- Medium - Quality	see Hauhinco media requirement, water, HFA
- Medium - Temperature range	5 – 40°C
- min filter fineness connector P,A, T	Filter fineness 25µm
Pressure fluid	Mineral oil HLP according to DIN51624-2
- Medium - Quality	Cleanliness class -/19/16 according to ISO 4406
- Medium - Temperature range	5 – 50°C
- Viscosity	0.6 to 100 mm ² /s

Use of other pressure fluids on request.

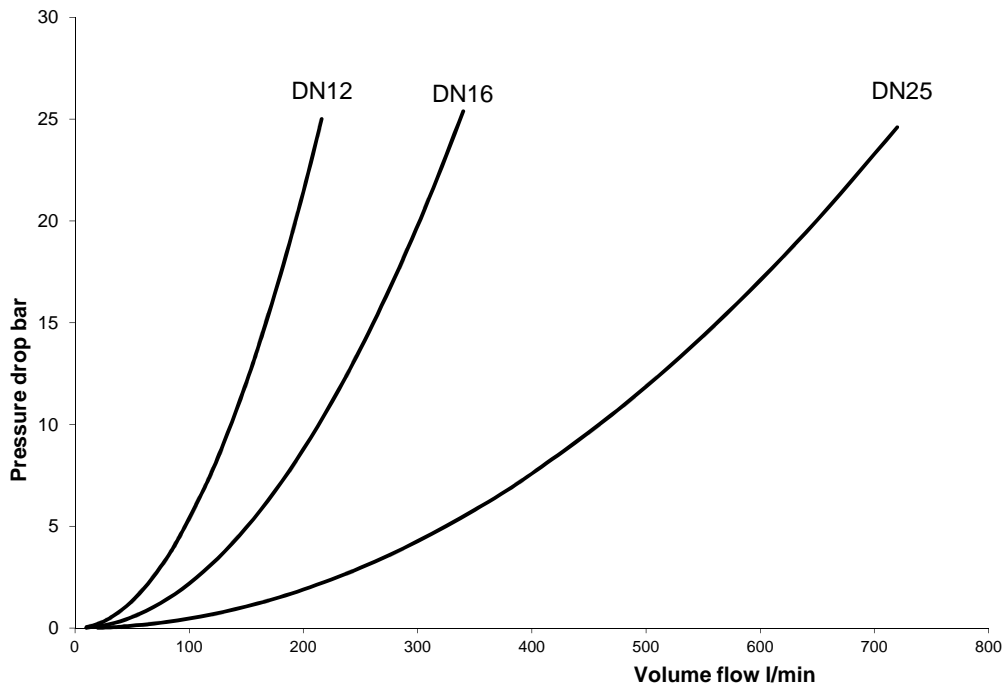
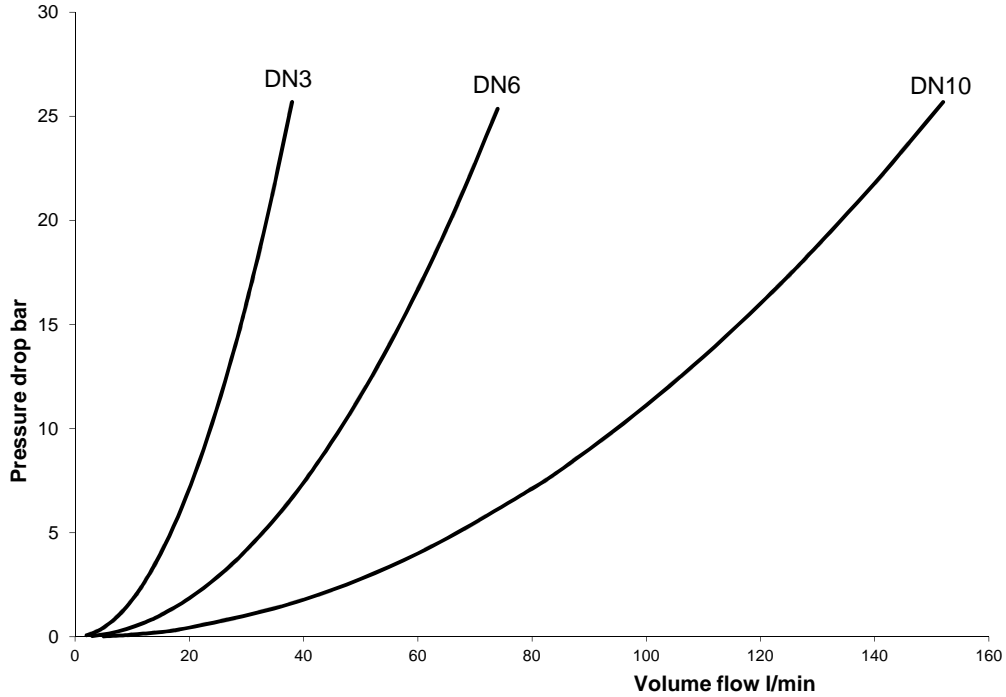
electric

Magnet	
Voltage	24 VDC
Operating time	100% OT
Degree of protection acc. to EN60529	IP65
max. switching rate	0.5 Hz

3/2-way valve B1, DN3 – DN25 | PN320, PN500, X, Y-internally

Valve characteristics

$\Delta p - q_v$ characteristic curves



3/2-way valve B1, DN3 – DN25 | PN320, PN500, X, Y-internally

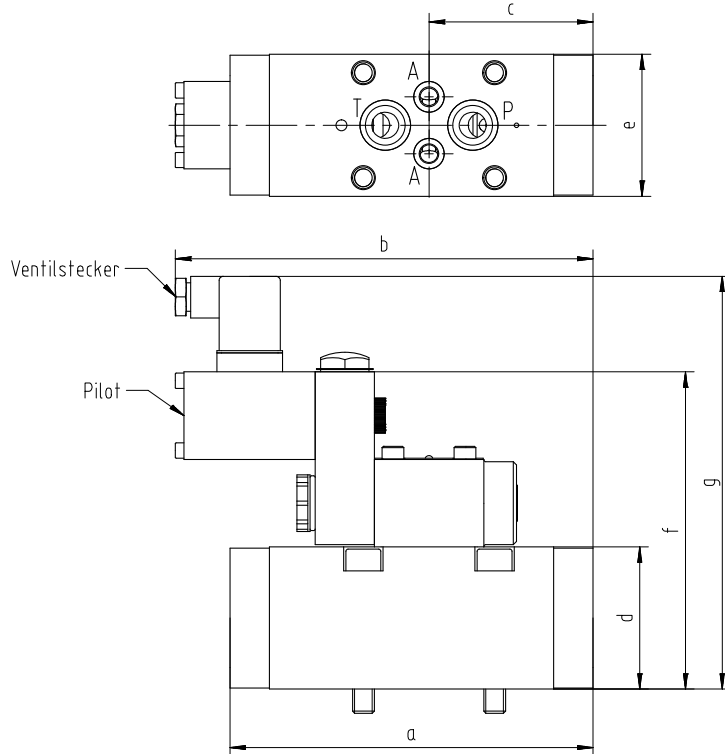
Valve data

Nominal value		DN3		DN6		DN10		DN12	
Pressure stage		PN320		PN320		PN500		PN320	
Weight		3 kg		5 kg		7 kg		7 kg	
3/2-way valve	hydraulic	A→T NO	P→A NO	A→T NO	P→A NO	A→T NO	P→A NO	A→T NO	P→A NO
	Art. No.	6264832	6264824	6264808	6264816	6271820	6600028	6266975	6266983
	a	114	114	118	118	166	166	166	166
	b	169	177	189	201	191	207	191	207
	c	53	61	53	65	75	91	75	91
	d	40	40	40	40	65	65	65	65
	e	40	40	50	50	65	65	65	65
	f	120	120	140	140	145	145	145	145
g	164	164	181	181	189	189	189	189	
Conne- tion dia- gram	Art. No.	6559778		6559794		6555713		6555713	
min. pressure difference P→T		30 bar	30 bar	30 bar	30 bar	30 bar	30 bar	10 bar	30 bar
Pilot valve	DN	3		6		3		3	
	hydraulic	A→T NO		A→T NO		A→T NO		A→T NO	
	Art. No.	6545599		6546749		6545769		6545599	
	Actua- tion	Electromagnet, voltage 24V DC							
		1.0 A		1.5 A		1.0 A		1.0 A	
		Cable socket magnet DIN43650 – form A: max. 100VA, LED display + Z-diode, IP65							

Nominal value		DN16		DN25					
Pressure stage		PN320		PN320					
Weight		13 kg		33 kg		kg		kg	
3/2-way valve	hydraulic	A→T NO	P→A NO	A→T NO	P→A NO	A→T NO	P→A NO	A→T NO	P→A NO
	Art. No.	6161448	6161405	6153208					
	a	205	205	294					
	b	206	231	266					
	c	90	115	132					
	d	90	90	125					
	e	90	90	125					
	f	170	170	205					
g	214	214	249						
Conne- tion dia- gram	Art. No.	6556515		6557910					
min. pressure difference P→T		10 bar	30 bar	30 bar					
Pilot valve	DN	3		3					
	hydraulic	A→T NO		A→T NO		A→T NO		A→T NO	
	Art. No.	6545599		6545599					
	Actua- tion	Electromagnet, voltage 24V DC							
		1.0 A		1.0 A					
		Cable socket magnet DIN43650 – form A: max. 100VA, LED display + Z-diode, IP65							

3/2-way valve B1, DN3 – DN25 | PN320, PN500, X, Y-internally

Dimension sheet



Deutsch	Englisch
Ventilsstecker	Valve connector
Pilot	Pilot

Included in the scope of supply:

Mounting screws of the valve

Cheese-head screw

Cable socket of the valve solenoid

according to DIN 43650 – type of design A

- Supply voltage 24 VDC

max. 100 VA

Ordering example 1: 3/2-way valve B1 - DN6 - PN320 - XY-internally, 24 VDC, P-A NO
 1 item, 3/2-way valve DN16, Art. No. 6264808
 1 item, 3/2-way valve DN6, Art. No. 6546749

Ordering example 2: 3/2-way valve B1 – DN10 – PN500 - XY-internally, 24 VDC, A-T NO
 1 item, 3/2-way valve DN16, Art. No. 6600028
 1 item, 3/2-way valve DN3, Art. No. 6545769