

3/2-way valve B2 X,Y - internally

DN10 – DN16
PN320

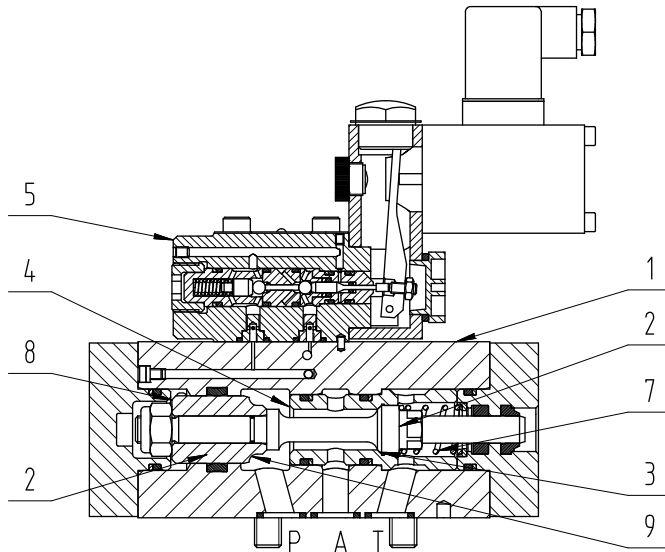
Features:

- Hydraulically actuated directional seat valve controlling liquid media.
- Passively controllable 3/2-way valve with 2-stage control logic
- The basic valve position is maintained by the hydraulic pressure (P)
- The valve is designed in the function variant P→T NO, the function variant A→T NO can be generated by a pilot valve with the hydraulic function P→A NO
- The hydraulic control pressure (X, Y) is picked off internally along the lines (P, T)
- Valve piston and valve seat are coupled and close hydraulically "leak-free"
- The valve is actuated hydraulically via a 3/2-way pilot valve
- Valve fastening structural plate form with a Hauhinco connection diagram

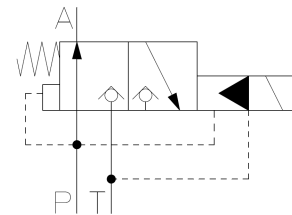
Function of 3/2-way valve P→A NO

The valve piston (2) guided within the valve body (1) is pressed into the valve seat (3) by the hydraulic power and the spring force (7) generated by the operating pressure (P) on the control surface (6). Thus, the line (P) is shut off and the lines (A, T) are connected. By switching the pilot valve (5), the control surface (8) is pressurised and the valve piston (2) is moved into the actuated position. Thus, the valve piston (2) is pressed into the valve seat (4), the lines (P, A) are connected and the line (T) shut off.

Examples 3/2-way valve P→A NO:



Symbol

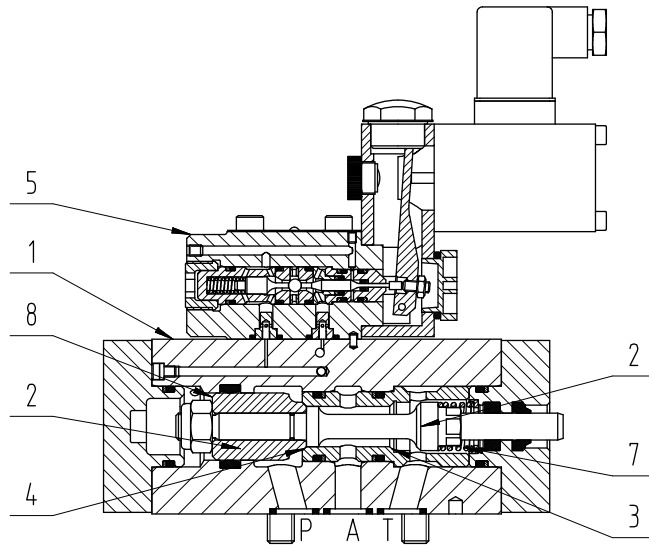


3/2-way valve B2, DN10 – DN16 | PN320 - X, Y- internally

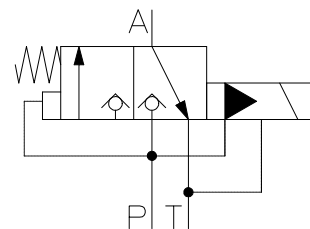
Function of 3/2-way valve A→T NO

The valve piston (2) guided within the valve body (1) is pressed into the valve seat (4) by the hydraulic power generated by the control pressure (X) on the control surface (8), against the operating pressure (P) on the control surface (9) and the spring force (7). Thus, the line (P) is shut off and the lines (A, T) are connected. By switching the pilot valve (5), the piston valve area (8) is depressurised and the valve piston (2) is moved by the operating pressure (P) into the non-actuated position. Thus, the valve piston (2) is pressed into the valve seat (3), the lines (P, A) are connected and the line (T) is shut off.

Examples 3/2-way valve A→T NO:



Symbol



Technical data

measured with HFA medium 97/3%, at 20°C

general

Weight	see Order information
Installation position	any
Ambient temperature	-10 to 50°C (hydraulic fluids, heed standard requirements)
Material	
- Valve parts	Stainless steel, except for the electromagnet
- Seals	NBR, PTFE

hydraulic

hydraulic pressure connector P	≤ 320 bar
hydraulic pressure connector A	≤ P ≤ 320 bar
hydraulic pressure connector T, Y	≤ 10 bar
hydraulic pressure connector X	≥ 30 bar ≥ P ≤ 320 bar
Direction of flow	P → A, A → T
Pressure fluid	Water, HFA
- Medium - Quality	see Hauhinco media requirement, water, HFA
- Medium - Temperature range	5 – 40°C
- min filter fineness connector P, A	Filter fineness 100µm
- min filter fineness connector X	Filter fineness 25µm
Pressure fluid	Mineral oil HLP according to DIN51624-2
- Medium - Quality	Cleanliness class -/19/16 according to ISO 4406
- Medium - Temperature range	5 – 50°C
- Viscosity	0.6 to 100 mm ² /s

Use of other pressure fluids on request.

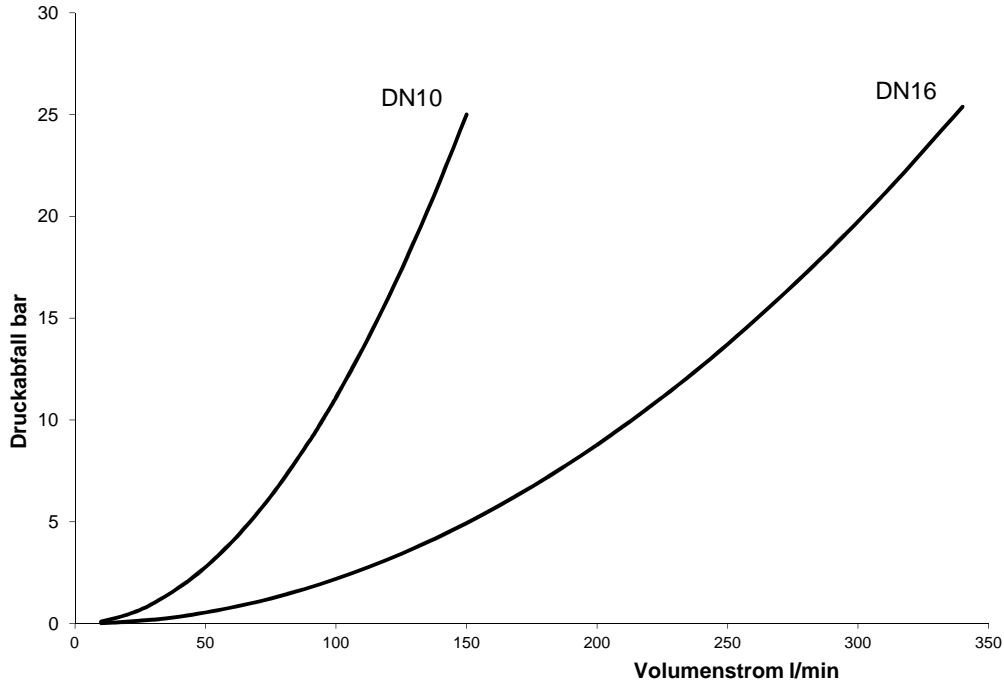
electric

<u>Magnet</u>	
Voltage	24 VDC
Power consumption	21 W
Operating time	100% OT
Degree of protection acc. to EN60529	IP65
max. switching rate	0.5 Hz

3/2-way valve B2, DN10 – DN16 | PN320 - X, Y- internally

Valve characteristics

$\Delta p - q_v$ characteristic curves



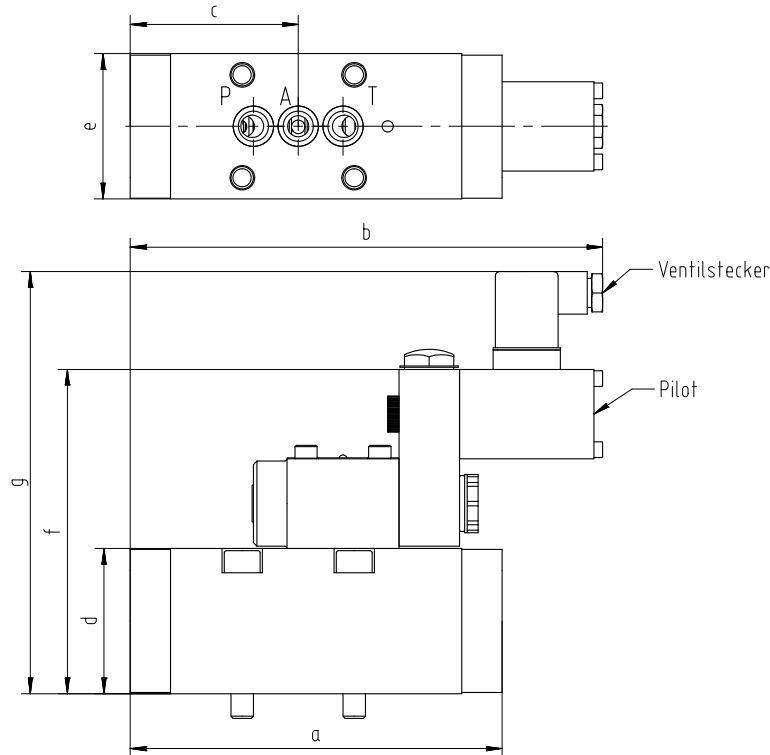
Deutsch	Englisch
Druckabfall	Pressure drop
Volumenstrom	Volume flow

Valve data

Nominal value		DN10		DN16					
Pressure stage		PN320		PN320					
Weight		kg		kg		kg		kg	
3/2-way valve	hydraulic	A→T NO	P→A NO	A→T NO	P→A NO	A→T NO	P→A NO	A→T NO	P→A NO
	Art. No.	6270999	6270999	6270735	6270735				
	a	166	166	217	217				
	b	187	187	231	231				
	c	91	91	115	115				
	d	65	65	90	90				
	e	65	65	90	90				
	f	145	145	170	170				
g	189	189	214	214					
Conne- tion dia- gram	Art. No.	6600267		6573940					
min. pressure difference P→T		30 bar	30 bar	30 bar	30 bar				
Pilot valve	DN	3		3					
	hydraulic	P→A NO	A→T NO	P→A NO	A→T NO	P→A NO	A→T NO	P→A NO	A→T NO
	Art. No.	6545602	6545599	6545602	6545599				
	Actua- tion	Electromagnet, voltage 24V DC							
		1.0 A		1.0 A					
		Cable socket magnet DIN43650 – form A: max. 100VA, LED display + Z-diode, IP65							

3/2-way valve B2, DN10 – DN16 | PN320 - X, Y- internally

Dimension sheet



Deutsch	Englisch
Ventilstecker	Valve connector
Pilot	Pilot

Included in the scope of supply:

Mounting screws of the valve
 Cable socket of the valve solenoid
 - Supply voltage 24 VDC

Cheese-head screw
 according to DIN 43650 – type of design A
 max. 100 VA

Ordering example 1: 3/2-way valve B2 – DN10 - PN320 - XY-internally, 24 VDC, A-T NO
 Valve fastening structural plate form
 1 item, 3/2-way valve DN10, Art. No. 6270999
 1 item, 3/2-way valve DN3, Art. No. 6545602