

2/2-way proportional seat valve Directly actuated

DN10
PN320, PN500

Features:

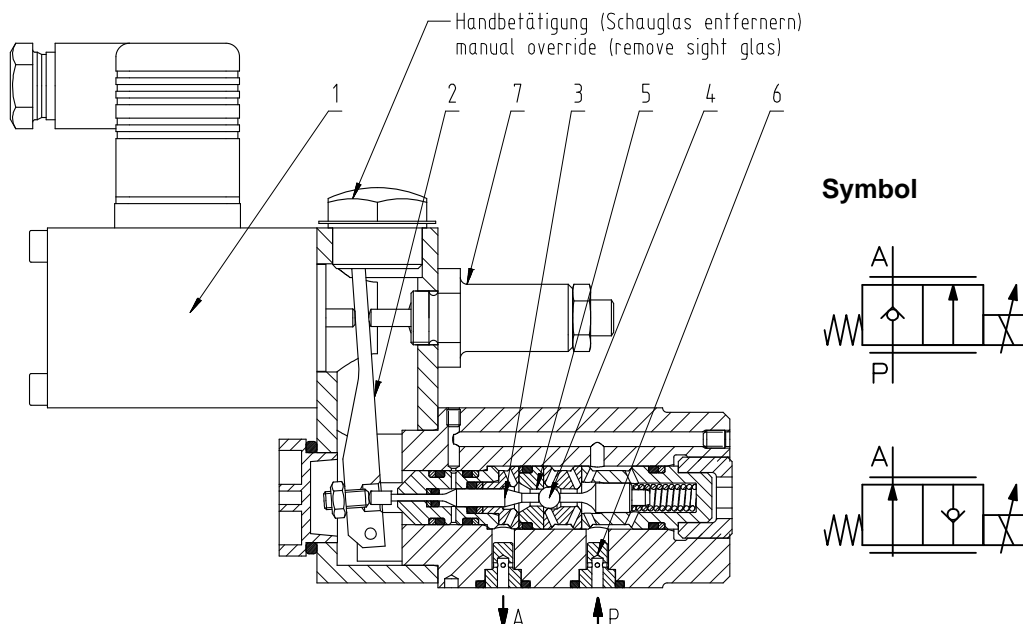
- Directly actuated directional seat valve for liquid media
- Valve actuation by means of proportional solenoid
- The proportional solenoid is activated via the Hauhinco automatic control unit "Controller RE4"
- The valve seat provides a leak-free seal
- All parts are made of corrosion-resistant materials, and they are easily replaceable
- Valve fastening structural plate form with a Hauhinco Connection diagram

Function 2/2-way proportional seat valve:

The generated magnetic force (1) acts via the lever (2), the tappet (3) onto the ball (4) and presses it out of the valve seat (5). This is used to connect lines P and A. The covers (6) support the flange seals from the inside and limits the maximum admissible volume flow. A defined actuating force can be preset (factory setting) by means of the counterspring. The proportional solenoid is electrically activated by regulated current generated as the manipulated variable by the controlled electronic control unit, the Controller RE4. The controlled valve current specifies the degree of opening of the valve, thus, a hydraulic volume flow or pressure control can be performed.

Depending on the arrangement of the valve seat (5) and ball (4) the valve will have the basic position normally closed (NC) or normally open (NO).

Example 2/2-way valve:



2/2-way proportional seat valve DN10 | PN320, PN500

Technical data

measured with HFA medium 97/3%, at 20°C

general

Weight	see Order information
Installation position	any
Ambient temperature	-10 to 50°C (hydraulic fluids, heed standard requirements)
Material	
- Valve parts	Stainless steel, bronze except electromagnet
- Seals	NBR, PTFE

hydraulic

max. operating pressure of connector P	320 bar, 500 bar see Valve data
max. operating pressure of connector A	320 bar, 500 bar see Valve data
max. operating pressure of connector T	50 bar
max./min. control pressure of connector Z	see Order information
max. volume flow P→A	40 l/min
specified direction of flow	P→A
Pressure fluid	Water, HFA
- Medium - Temperature range	5 to 50°C
- Medium - Quality	see Hauhinco requirements on water and HFA media
- Cleanliness class, filter fineness	Class -/18/15, filter fineness 25µm
- Viscosity	0.6 to 100 mm ² /s
Pressure fluid	Mineral oil HLP
- Medium - Temperature range	-10 to 50°C
- Medium - Quality	acc. to DIN 51524
- Cleanliness class, filter fineness	Class -/18/15, filter fineness 25µm
- Viscosity	0.6 to 100 mm ² /s

Use of other pressure fluids on request.

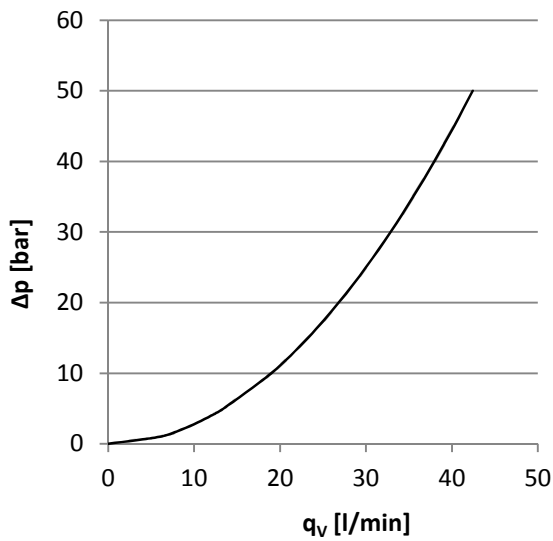
The covers (6) are designed with a viscosity of approx. 1.0 mm²/s; if a medium with a substantially different viscosity is used, the covers must be selected such that the maximum admissible volume flow is not exceeded.

electric

Voltage	24 VDC
Power consumption	21 W
Operating time	100% OT
Degree of protection acc. to EN60529	IP65

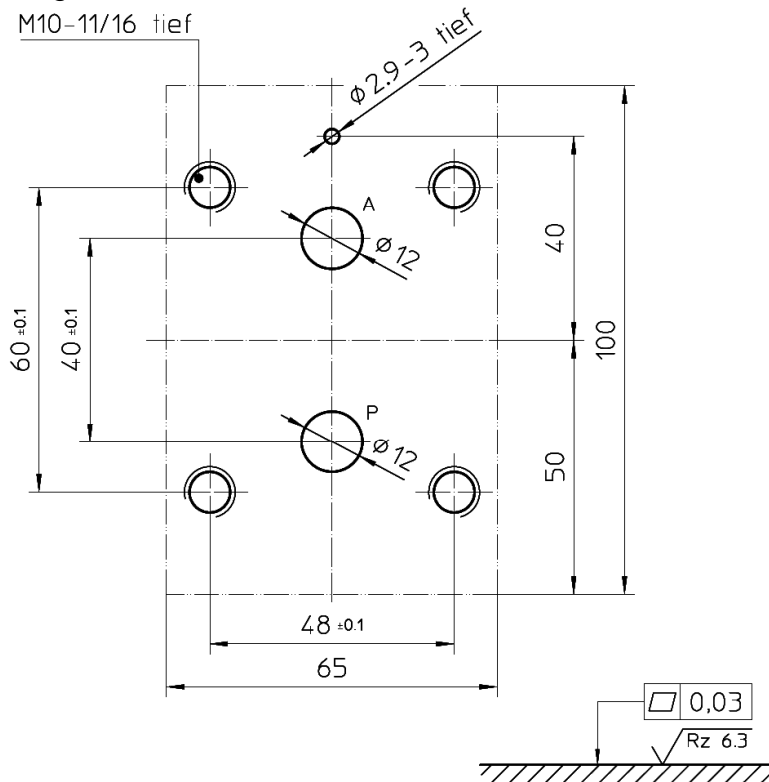
2/2-way proportional seat valve DN10 | PN320, PN500

$\Delta p - q_v$ characteristic curve



Connection diagram 2/2-way DN10

Drawing number 6559808



Erforderliche Oberflächengüte
des Gegenstückes

Deutsch	Englisch
tief	depth
Erforderliche Oberflächengüte des Gegenstückes	Required surface quality of the counterpart

Included in the scope of supply

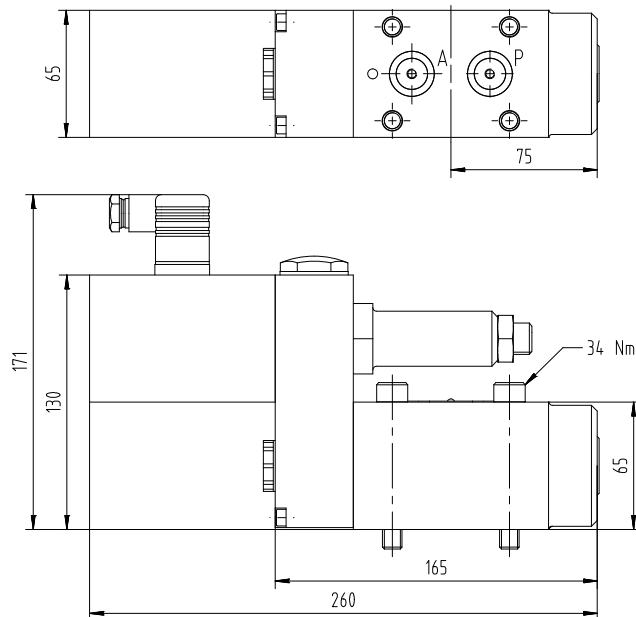
Mounting screws of the valve	Cheese-head screw
Cable socket of the valve solenoid	according to DIN 43650 – type of design A
Supply voltage 24 VDC	max. 100 VA

2/2-way proportional seat valve DN10 | PN320, PN500

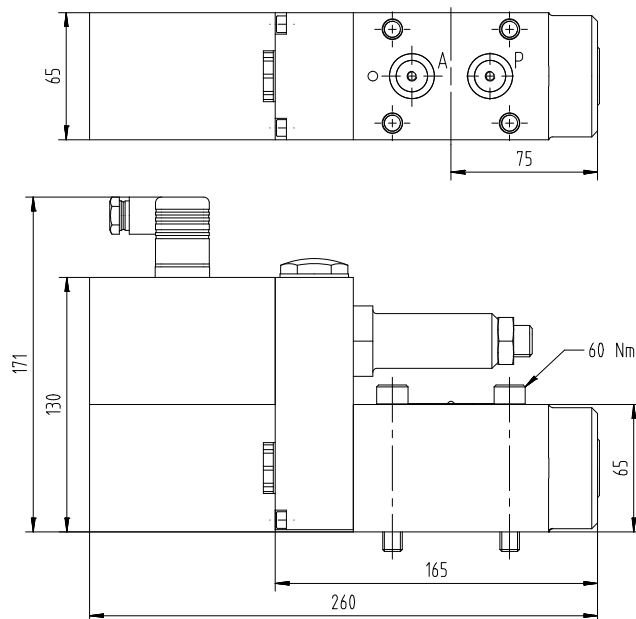
Valve data

Dimensions:

2/2-way proportional valve DN10 PN320



2/2-way proportional valve DN10 PN500



Designation	Voltage	Weight	Article number
2/2-way proportional valve DN10 PN320 NC	24 V DC	8.5 kg	6244270
2/2-way proportional valve DN10 PN320 NO	24 V DC	8.5 kg	6244289
2/2-way proportional valve DN10 PN500 NC	24 V DC	8.5 kg	6553508
2/2-way proportional valve DN10 PN500 NO	24 V DC	8.5 kg	6547397

Control electronics (not included in the scope of supply of the valve)

Controller RE4, order no. 2336596

Electronic controller for Hauhinco proportional valves