

Quintuplex Plunger Pump
EHP-5K 400S^[3]
 for Mining and Industry

Plunger diameter [mm]	Input speed 1,500 1/min		Input speed ^[2] 1,800 1/min		max. Operating pressure ^[1]	
	Flow rate Q_{th}		Flow rate Q_{th}		[bar]	[psi]
	[dm ³ /min]	[gpm (US)]	[dm ³ /min]	[gpm (US)]		
53	540	142	543	143	420	6,090
57.5	635	168	639	169	360	5,220
62	738	195	742	196	315	4,570

■ max. Input power
400 kW

■ max. Input speed
n = 1,500/1,800 1/min

1 bar = 14.5038 psi
1 l = 0.26417 Gal.

1 kW = 1.3410 HP
1 kg = 2.205 lbs

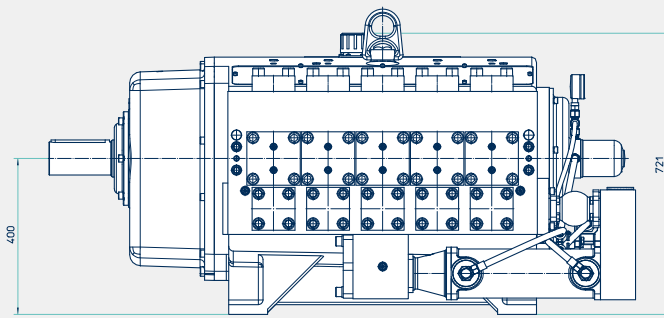
^[1] max. approved operating pressure at the pressure connection pump head
^[2] Reduction gear box for 60 Hz operation (input speed = 1,800 1/min)
^[3] Pump is available with plate valve and cylinder valve design



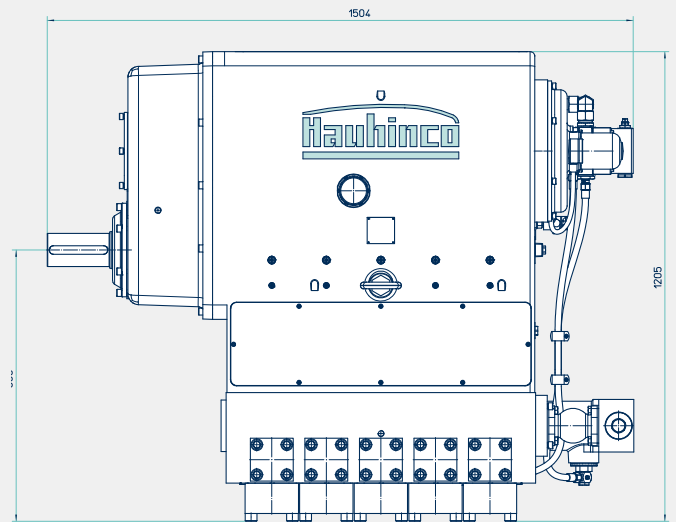
EHP-5K 400S

Quintuplex Plunger Pump EHP-5K 400S

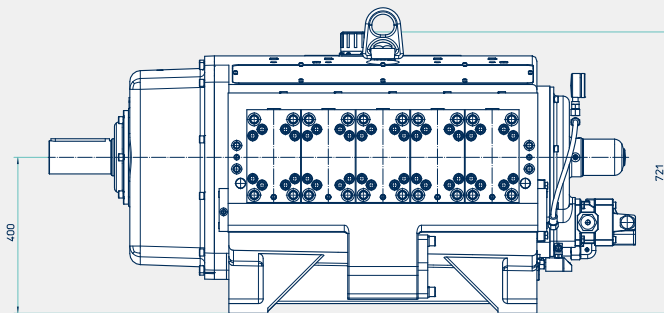
EHP-5K 400S – Foot-type with cylinder valve design



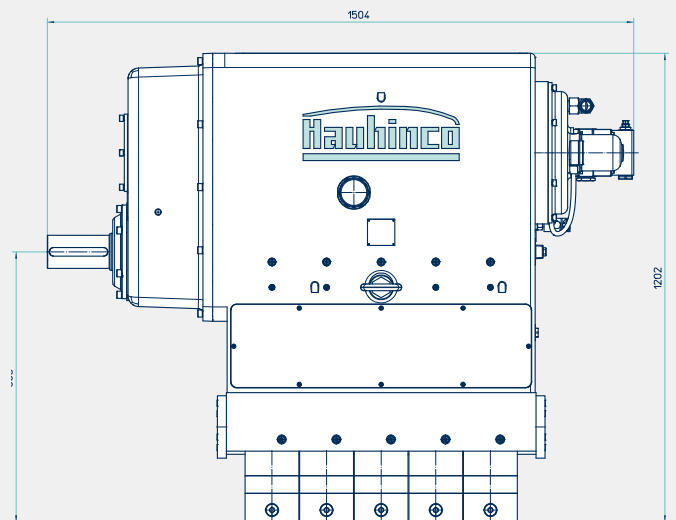
■ Weight*
2,164 kg



EHP-5K 400S – Foot-type with plate valve design



■ Weight*
2,015 kg



More detailed information on this pump is available upon request.

*The weight specifications apply for pumps without any attachment parts.