

Quintuplex Plunger Pump  
**EHP-5K 400S**<sup>[3]</sup>  
 for Mining and Industry

Plunger diameter [mm]	Input speed 1,500 1/min		Input speed <sup>[2]</sup> 1,800 1/min		max. Operating pressure <sup>[1]</sup>	
	Flow rate $Q_{th}$		Flow rate $Q_{th}$		[bar]	[psi]
	[dm <sup>3</sup> /min]	[gpm (US)]	[dm <sup>3</sup> /min]	[gpm (US)]		
53	540	142	543	143	420	6,090
57.5	635	168	639	169	360	5,220
62	738	195	742	196	315	4,570

■ max. Input power  
400 kW

■ max. Input speed  
n = 1,500/1,800 1/min

1 bar = 14.5038 psi  
1 l = 0.26417 Gal.

1 kW = 1.3410 HP  
1 kg = 2.205 lbs

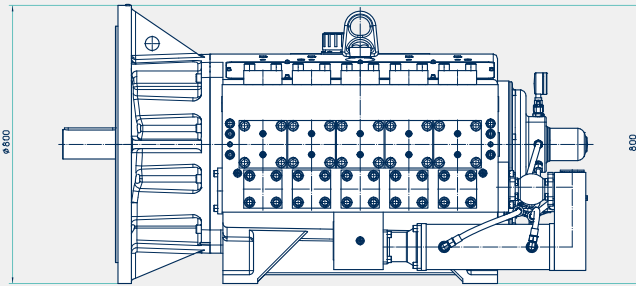
<sup>[1]</sup> max. approved operating pressure at the pressure connection pump head  
<sup>[2]</sup> Reduction gear box for 60 Hz operation (input speed = 1,800 1/min)  
<sup>[3]</sup> Pump is available with plate valve and cylinder valve design



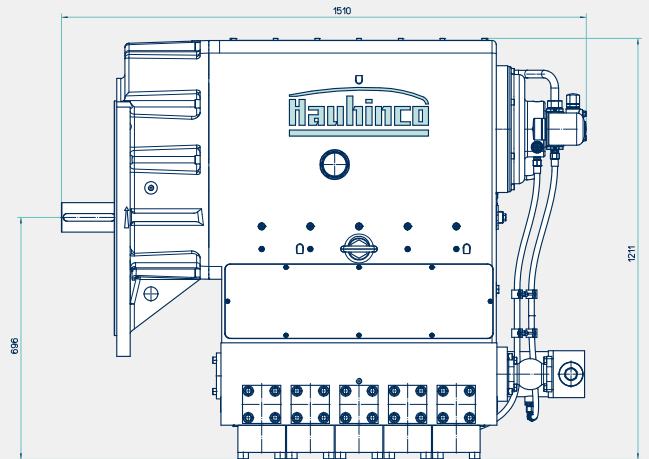
# EHP-5K 400S

# Quintuplex Plunger Pump EHP-5K 400S

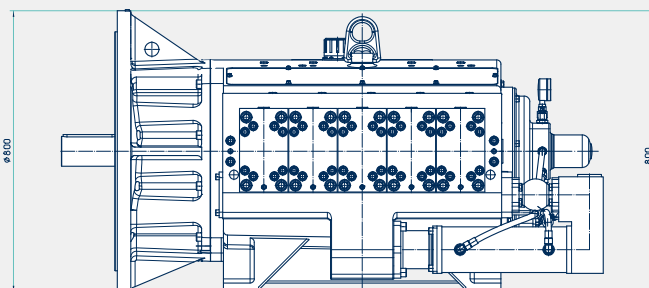
## EHP-5K 400S – Flange-type with cylinder valve design



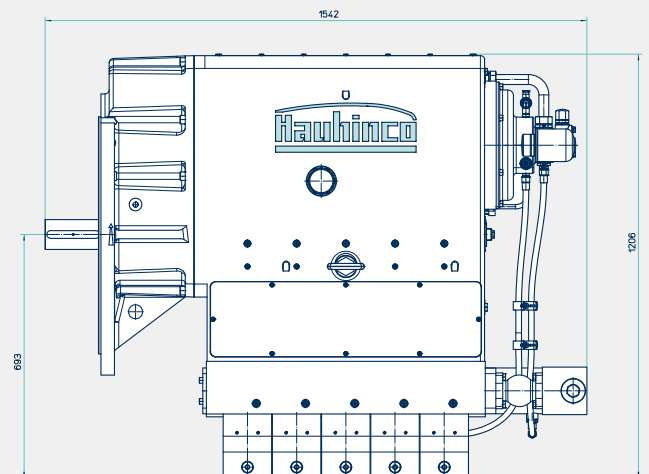
■ Weight\*  
2,130 kg



## EHP-5K 400S – Flange-type with plate valve design



■ Weight\*  
2,103 kg



More detailed information on this pump is available upon request.

\*The weight specifications apply for pumps without any attachment parts.