



Triplex Plunger Pump **EHP-3K 75** for Mining and Industry

Type	Plunger diameter [mm]	Input speed 1,500 1/min		Input speed 1,800 1/min		max. Operating pressure ⁽¹⁾		Crankshaft speed	
		Flow rate Q_{th}		Flow rate Q_{th}		[bar]	[psi]	1,500 1/min	1,800 1/min
		[dm ³ /min]	[gpm (US)]	[dm ³ /min]	[gpm (US)]				
High Pressure	25	42	11	50	13	500	7,250	474	568
	36	87	23	104	27	400	5,800		
	40	107	28	129	34	320	4,640		
Low Pressure	50	167	44	201	53	160	2,320	474	568
	57,5	221	58	266	70	120	1,740		
	57,5	278	73	-	-	120	1,740		

■ max. Input power
75 kW

■ max. Input speed
n = 1,500 / 1,800 1/min

1 bar = 14,5038 psi
1 l = 0,26417 Gal.

1 kW = 1,3410 HP
1 kg = 2,205 lbs

⁽¹⁾ max. approved operating pressure at the pressure connection pump head

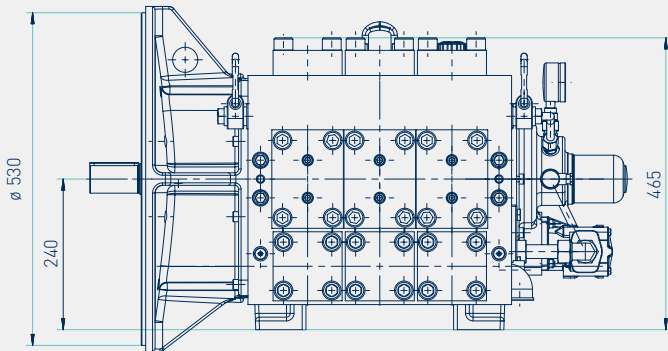


EHP-3K 75

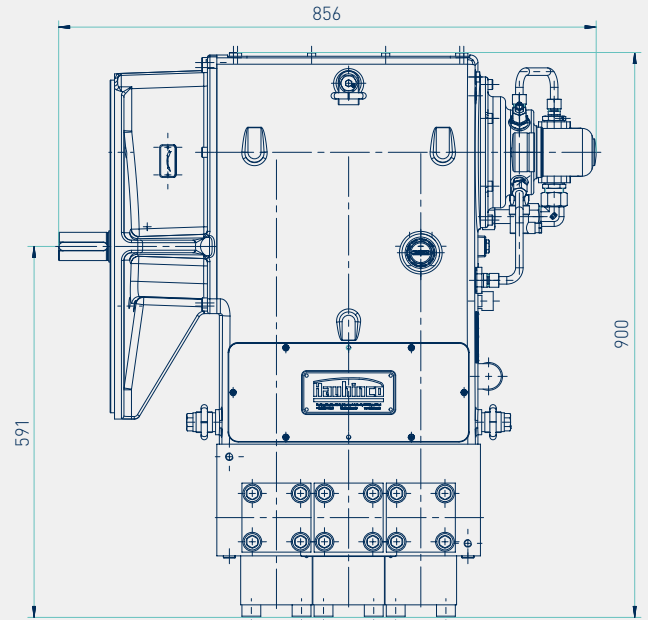
Triplex Plunger Pump

EHP-3K 75

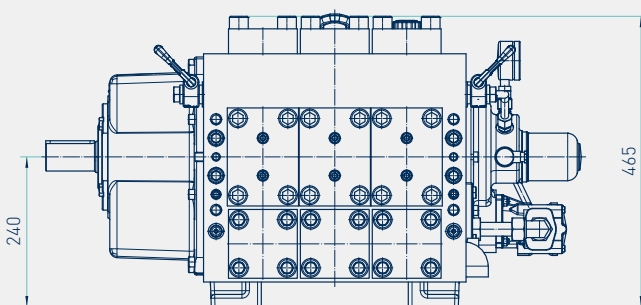
EHP-3K 75 – Flange-type



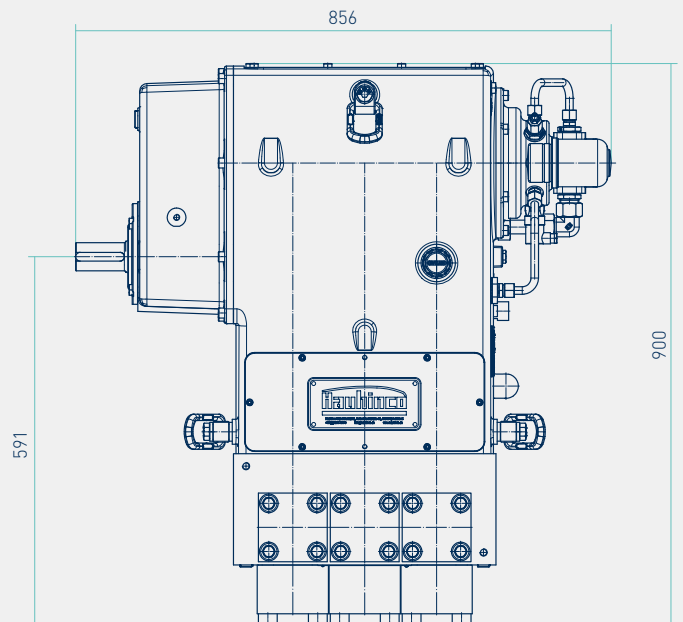
■ Weight*
660 kg



EHP-3K 75 – Foot-type



■ Weight*
630 kg



More detailed information on this pump is available upon request.

*The weight specifications apply for pumps without any attachment parts.