

Triplex Plunger Pump
EHP-3K 200
 for Mining and Industry

Plunger diameter [mm]	Input speed 1,500 1/min		Input speed ^[2] 1,800 1/min		max. Operating pressure ^[1]	
	Flow rate Q_{th}		Flow rate Q_{th}		[bar]	[psi]
	[dm ³ /min]	[gpm (US)]	[dm ³ /min]	[gpm (US)]		
50	275	73	274	72	400	5,800
53	309	82	308	81	360	5,220
55	333	88	332	88	330	4,790
57,5	364	96	363	96	300	4,350
62	423	112	422	111	260	3,770
70 ^[3]	539	142	538	142	200	2,900
80 ^[3]	704	186	702	185	160	2,320

■ max. Input power
200 kW

■ max. Input speed
n = 1,500/1,800 1/min

1 bar = 14.5038 psi
1 l = 0.26417 Gal.

1 kW = 1.3410 HP
1 kg = 2.205 lbs

^[1] max. approved operating pressure at the pressure connection pump head

^[2] Reduction gear box for 60 Hz operation (input speed = 1,800 1/min)

^[3] Only available as steel head design with plate valves

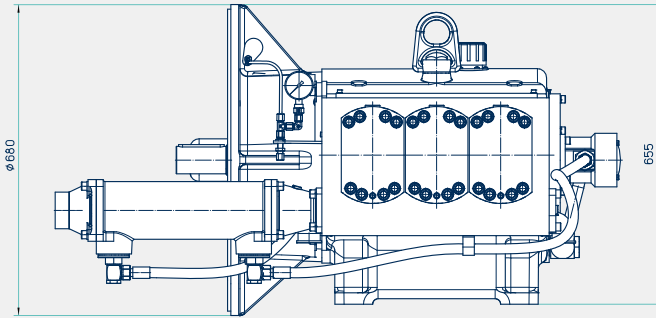


EHP-3K 200

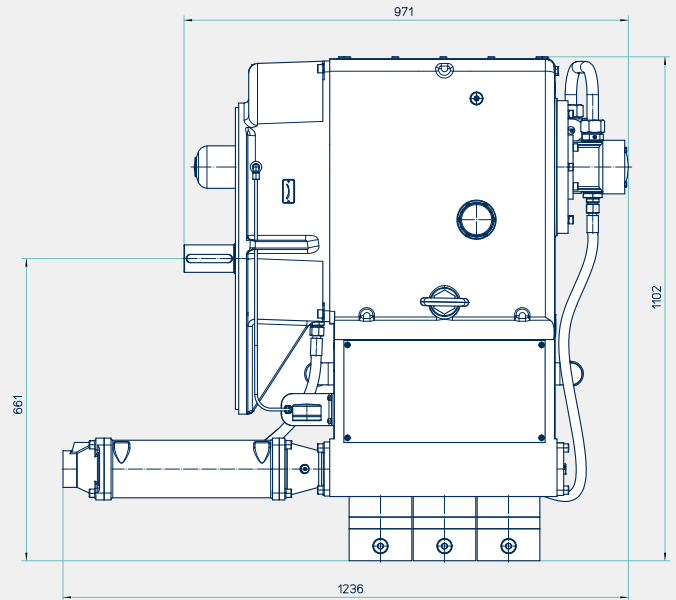
Triplex Plunger Pump

EHP-3K 200

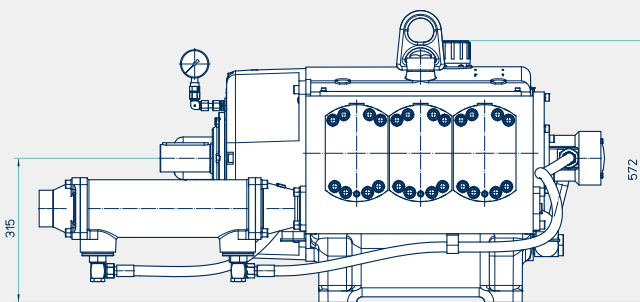
EHP-3K 200 – Flange-type



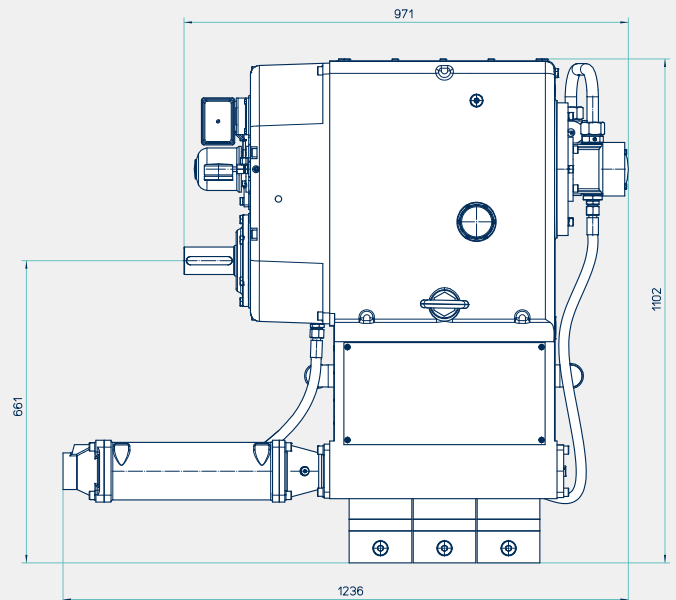
■ **Weight***
830 kg



EHP-3K 200 – Foot-type



■ **Weight***
780 kg



More detailed information on this pump is available upon request.

*The weight specifications apply for pumps without any attachment parts.