

Triplex Plunger Pump  
**EHP-3K 200S**  
 for Mining and Industry

Plunger diameter [mm]	Input speed 1,500 1/min		Input speed <sup>[2]</sup> 1,800 1/min		max. Operating pressure <sup>[1]</sup>	
	Flow rate $Q_{th}$		Flow rate $Q_{th}$		[bar]	[psi]
	[dm <sup>3</sup> /min]	[gpm (US)]	[dm <sup>3</sup> /min]	[gpm (US)]		
50	275	73	274	72	400	5,800
53	309	82	308	81	360	5,220
55	333	88	332	88	330	4,790
57.5	364	96	363	96	300	4,350
62	423	112	422	111	260	3,770

■ max. Input power  
200 kW

■ max. Input speed  
n = 1,500/1,800 1/min

1 bar = 14.5038 psi  
1 l = 0.26417 Gal.

1 kW = 1.3410 HP  
1 kg = 2.205 lbs

<sup>[1]</sup> max. approved operating pressure at the pressure connection pump head  
<sup>[2]</sup> Reduction gear box for 60 Hz operation (input speed = 1,800 1/min)

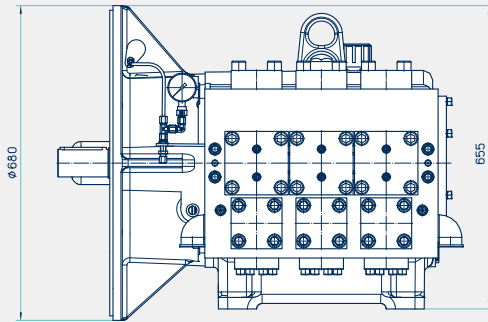


# EHP-3K 200S

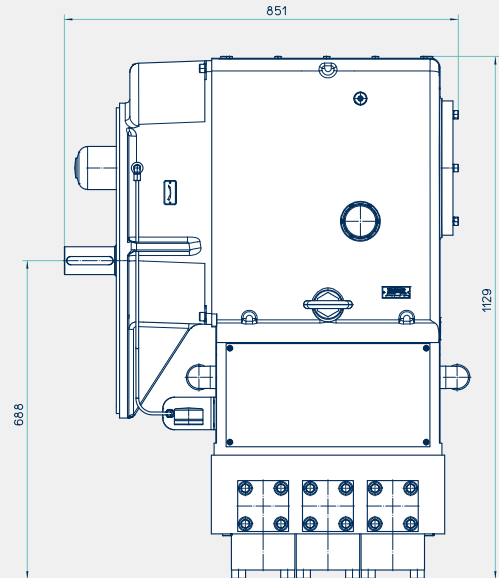
# Triplex Plunger Pump

## EHP-3K 200S

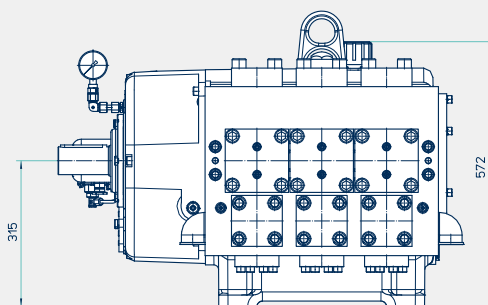
### EHP-3K 200S – Flange-type



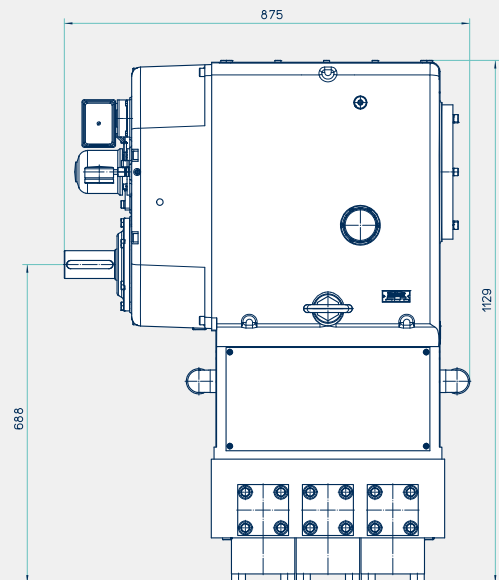
■ Weight\*  
897 kg



### EHP-3K 200S – Foot-type



■ Weight\*  
856 kg



More detailed information on this pump is available upon request.

\*The weight specifications apply for pumps without any attachment parts.