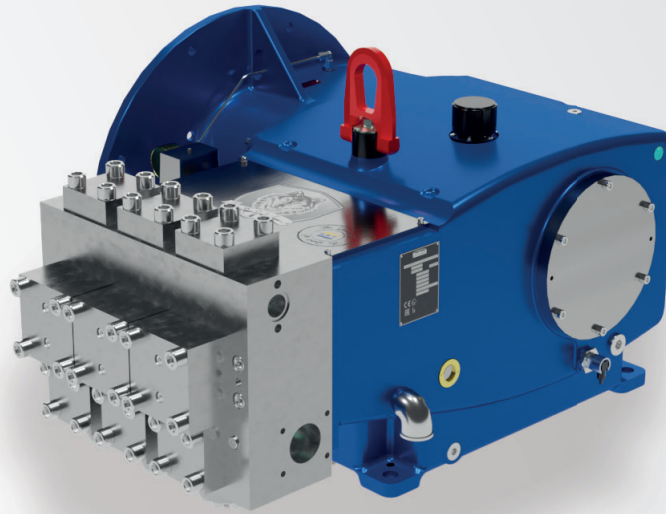


Triplex Plunger Pump

# EHP-3K 200S

# Hauhinco

AN HBT GROUP COMPANY



## Technical data

Plunger diameter	Flow rate $Q_{th}$ dm <sup>3</sup> /min		max. Operating pressure <sup>[2]</sup>
	Input speed 1,500 1/min	Input speed <sup>[1]</sup> 1,800 1/min	
mm			bar
50	275	274	400
53	309	308	360
55	333	332	330
57.5	364	363	300
62	423	422	260

- **max. Input speed:**  
1,500 / 1,800 1/min
- **max. Input power:**  
200 kW

1 kW = 1.3410 HP      1 bar = 14.5038 psi  
1 kg = 2.205 lbs      1 l = 0.26417 Gal.

<sup>[1]</sup> Reduction gear box for 60 Hz operation (input speed = 1,800 1/min).

<sup>[2]</sup> Max. approved operating pressure at the pressure connection pump head.

<sup>[3]</sup> The weight specifications apply for pumps without any attachment parts.

Triplex Plunger Pump

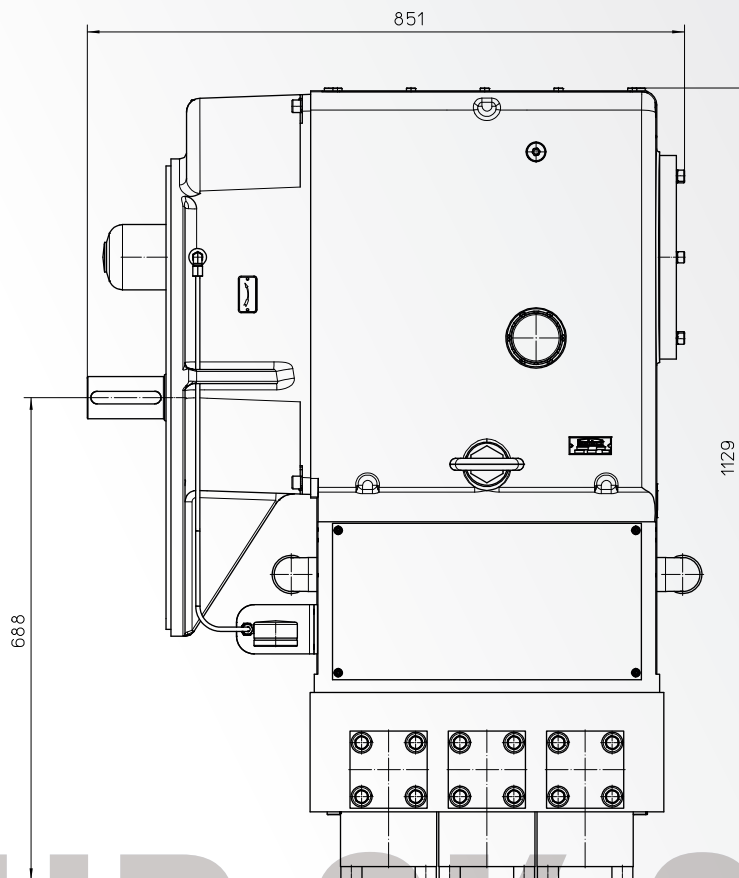
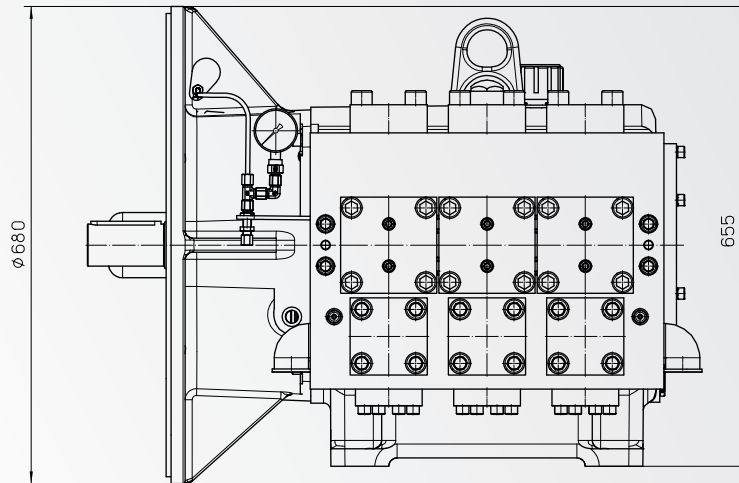
# EHP-3K 200S



# Hauhinco

AN HBT GROUP COMPANY

Flange-type



■ **Weight<sup>[3]</sup>**  
897 kg

# EHP-3K 200S

Hauhinco Maschinenfabrik GmbH & Co. KG

Beisenbruchstraße 10  
45549 Sprockhövel  
Germany

Phone: +49 2324 705-0  
Fax: +49 2324 705-222  
E-mail: [info@hauhinco.de](mailto:info@hauhinco.de)  
Web: [www.hauhinco.de](http://www.hauhinco.de)

HBT Americas LLC

1325 Evans City Road  
Evans City  
Pennsylvania  
16033 USA

Phone: +1 724 789-7050  
Fax: +1 724 789-7056  
E-mail: [info@hauhinco.com](mailto:info@hauhinco.com)  
Web: [www.hauhinco.com](http://www.hauhinco.com)